

## Safety Instructions



0,1,4,6,11,15,22

Info Hotline 

**+49 (0) 5041 998 389**

Mon. - Do. 7<sup>00</sup> - 20<sup>00</sup>

Fr. 7<sup>00</sup> - 17<sup>00</sup>



Paulmann Licht GmbH  
31832 Springe / Germany  
www.paulmann.com

Art.-Nr.:

**973.56**

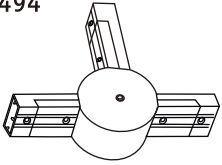
**974.94**

**974.95**

(+MA 173)

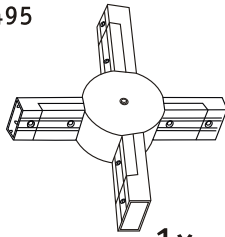
PH 08/09

97494



1x

97495

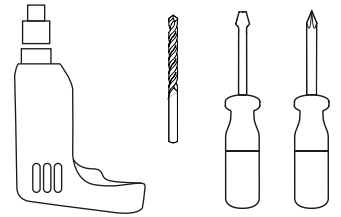


1x

97356

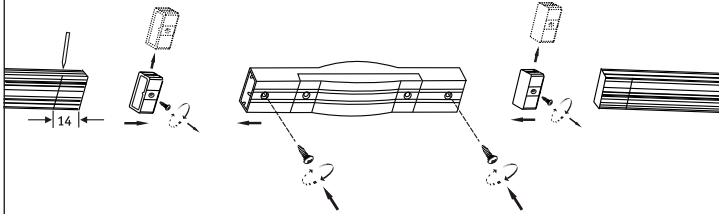


1x



**A 1**

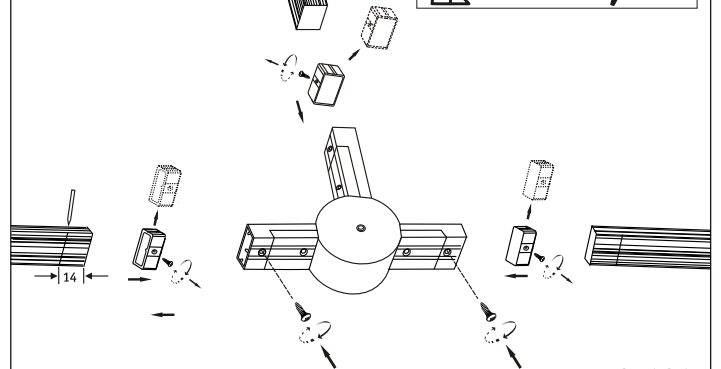
Safety Instructions  
**Nr.0,4**



97356

**A 2**

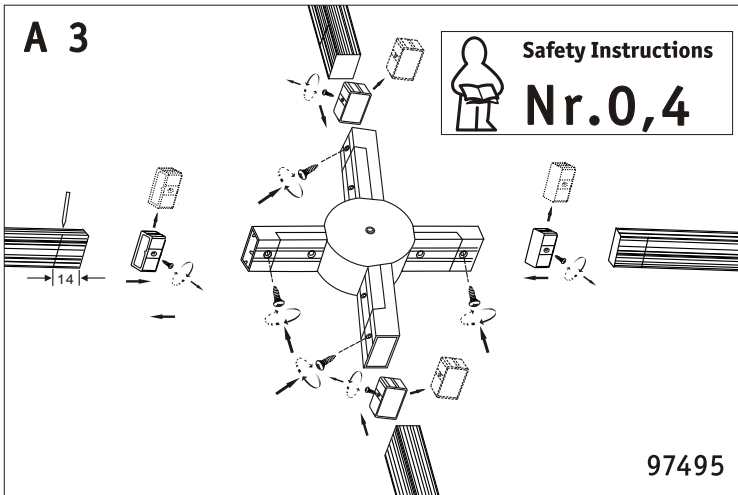
Safety Instructions  
**Nr.0,4**



97494

**A 3**

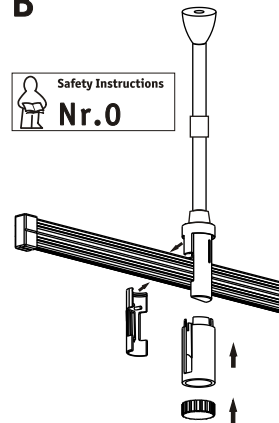
Safety Instructions  
**Nr.0,4**



97495

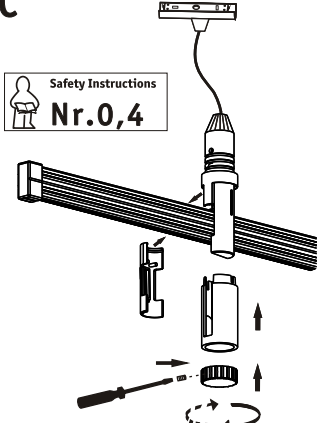
**B**

Safety Instructions  
**Nr.0**



**C**

Safety Instructions  
**Nr.0,4**



**D**

