





Safety Instructions

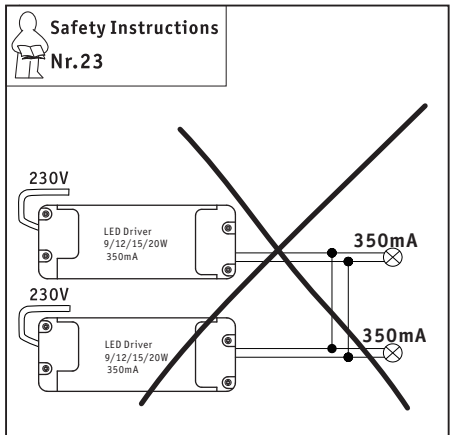
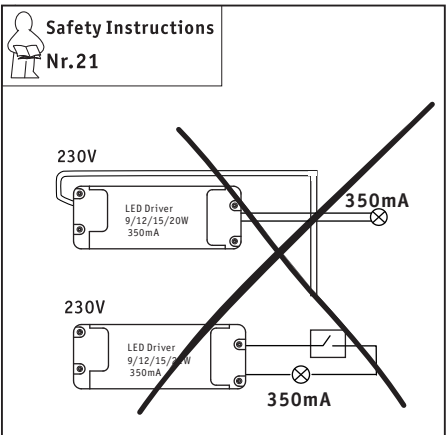
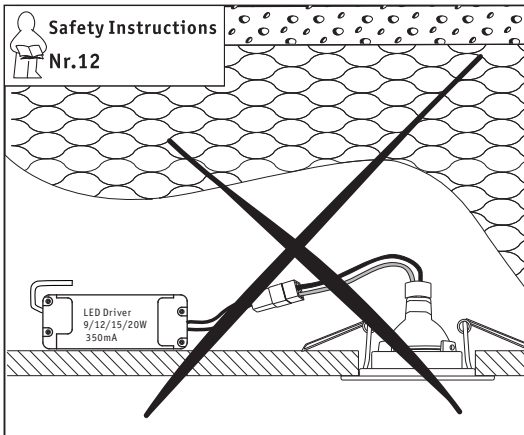
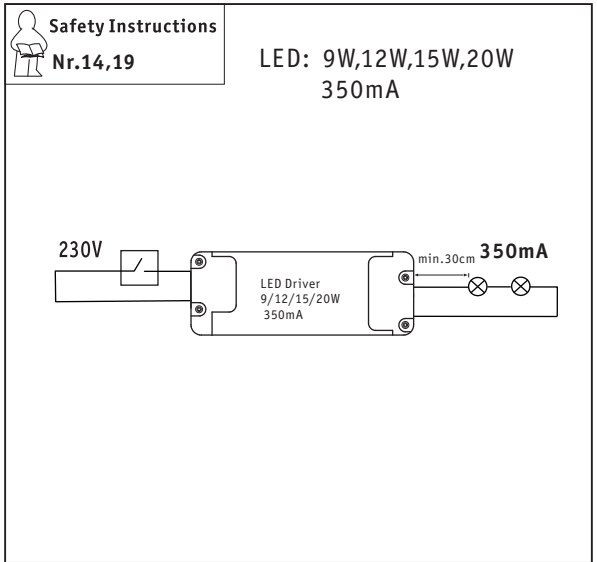
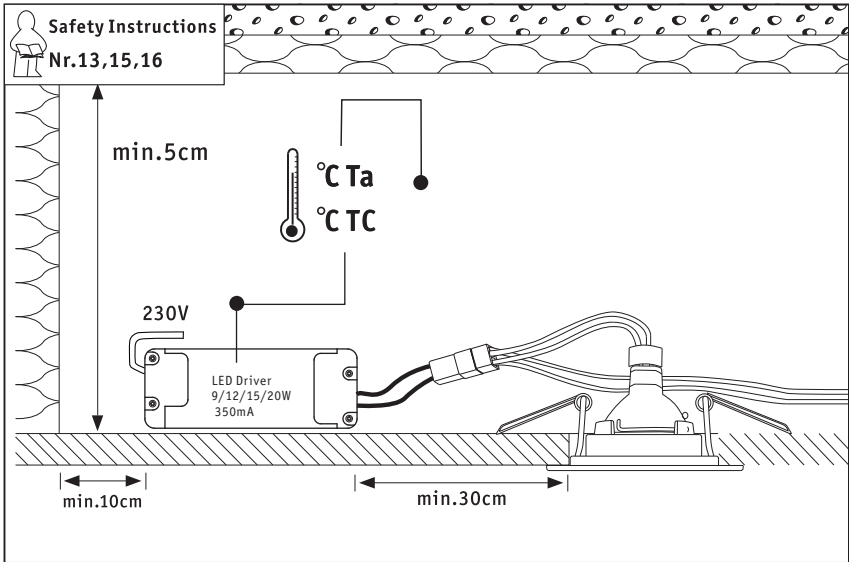


1,2,3,4,5,6,7,8,9,11,12,
13,14,15,16,17,18,19,
21,23,25,28a,28b,29,
30,31,34,




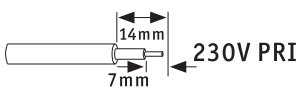
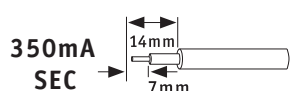
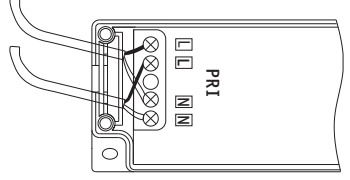
Info Hotline  +49(0) 5041 998 389
Mon.-Do. 7⁰⁰-20⁰⁰
Fr. 7⁰⁰-17⁰⁰

Paulmann Licht GmbH
31832 Springe/Germany
www.paulmann.com

Art.-Nr.:
977.23
977.24
977.26
977.60
(+MA 197) 
PCE 02/14



LED Driver

<input checked="" type="checkbox"/>  Safety Instructions Nr.28a/b	<input type="checkbox"/>	$T_a: -20 \dots +50^\circ\text{C}$	
<input type="checkbox"/>  Safety Instructions Nr.28b	<input type="checkbox"/>	$T_C: +80 (85)^\circ\text{C}$	
		<input type="checkbox"/>	
<input checked="" type="checkbox"/> H03VVH2-F } 2x <input checked="" type="checkbox"/> H05VVH2-F } 0.75mm ²	min.H03VVH2-F 0.75mm ² ×2	<input type="checkbox"/>	