



Safety Instructions



0,1,4,5b,6,7,8,9,10,11
12,15,16,17,19,20,21
22,23,25

Info Hotline

+49 (0) 5041 998 389

Mon. - Do. 7⁰⁰ - 20⁰⁰

Fr. 7⁰⁰ - 17⁰⁰



Paulmann Licht GmbH
31832 Springe / Germany
www.paulmann.com

Art.-Nr.:

983.36/44/46

983.64/66

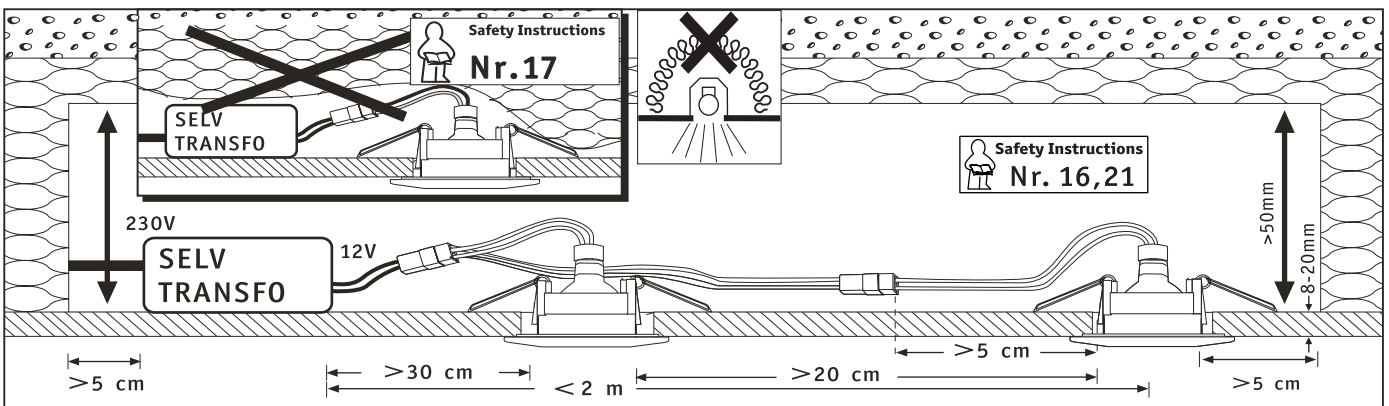
986.40

986.309/609

(+MA 173)

PBO 07/12

<p>983.36 983.46 983.66</p> <p>incl. </p> <p>3x 3x 3x 1x</p>	<p>983.44 983.64</p> <p>incl. </p> <p>6x 6x 6x 2x</p>	<p>986.40 986.309 986.609</p> <p>1x 1x</p>	
--	---	--	--



	$< 90^{\circ}\text{C}$	<p>A</p> <p>Safety Instructions Nr. 0,1</p> <p>($\varnothing 64\text{mm}$)</p>	<p>B</p> <p>Safety Instructions Nr. 0,4</p>	<p>14mm</p> <p>7mm</p> <p>230V</p> <p>230V</p>
	<p>COOL BEAM</p> <p>Security</p> <p>[W]</p>			
	<p>35</p> <p>50</p>			

<p>C</p>	<p>D</p>	<p>E</p> <p>Safety Instructions Nr. 7,8</p>	<p>F</p> <p>Safety Instructions Nr. 7,8</p>
----------	----------	---	---

<p>A, B, C, D, E, F</p> <p>>0,5m = 0,5m</p> <p>Safety Instructions Nr. 9</p>	<p>COOL BEAM</p> <p>Security</p> <p>$^{\circ}\text{C}$</p>	<p>20% ↑</p> <p>80% ↓</p> <p>60% ↑</p> <p>40% ↓</p>	<p>Art. No.</p> <p>20W 35mm GU4 832.47</p> <p>35W 35mm GU4 832.48</p>
---	---	---	---