

## Safety Instructions



0,1,2,4,5b,7,8,9,11,  
12,15,16,17,19,20,  
21,22,23,29



Info Hotline

+49 (0) 5041 998 389

Mon.-Do. 7<sup>00</sup> - 20<sup>00</sup>

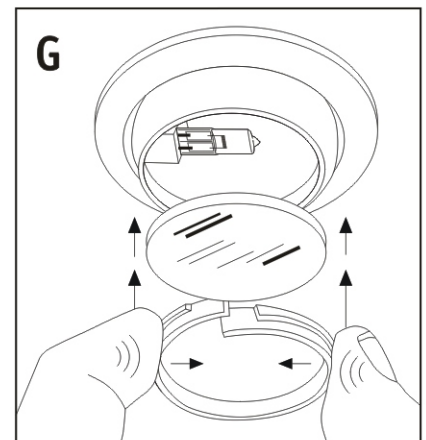
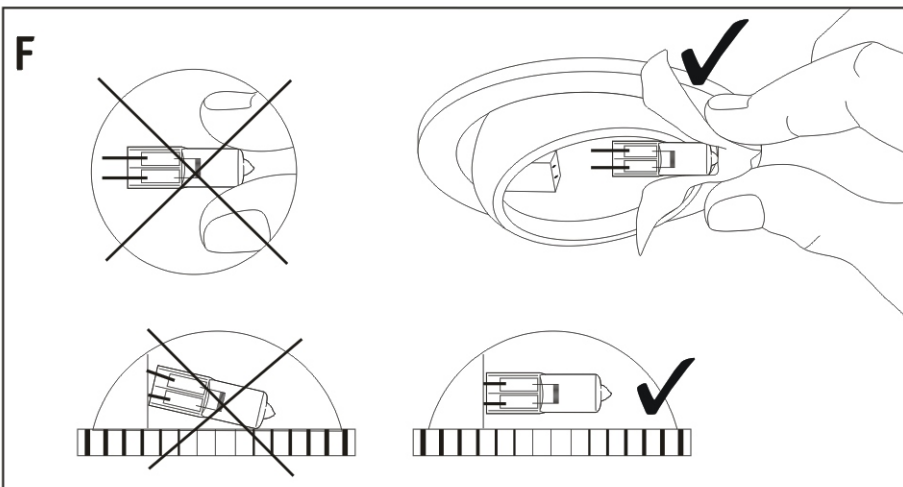
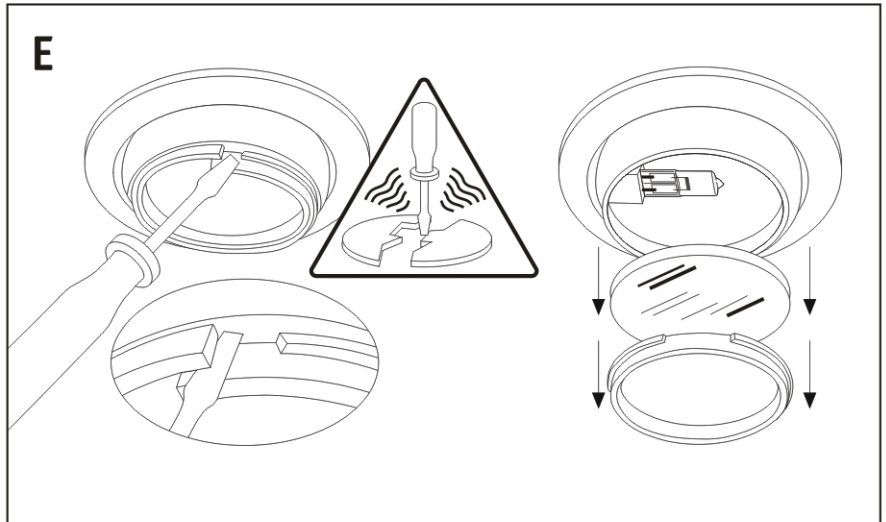
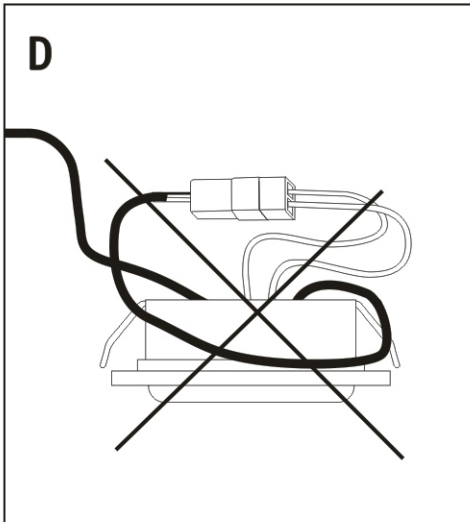
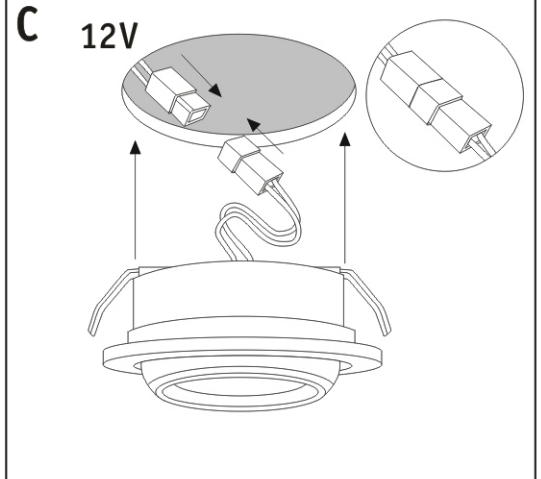
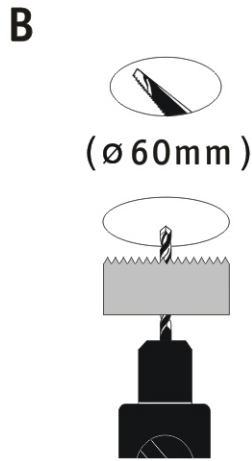
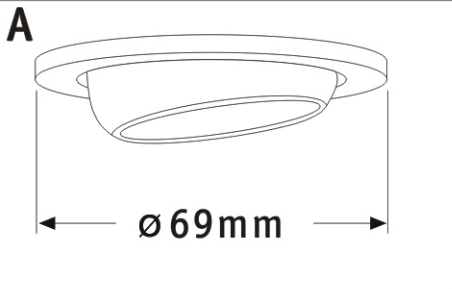
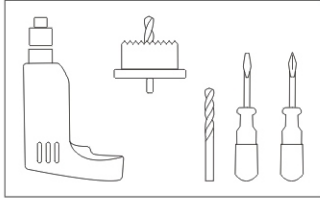
Fr. 7<sup>00</sup> - 17<sup>00</sup>

Paulmann Licht GmbH  
31832 Springe / Germany  
www.paulmann.com

Art.-Nr.:  
507000320

(+MA 173)

PB0 08/09



10W G4 831.109

20W G4 831.209

