

Safety Instructions



0,1,2,4,5b,7,8,9,11,
12,15,16,17,19,20,
21,22,23,29



Info Hotline

+49 (0) 5041 998 389

Mon.-Do. 7⁰⁰ - 20⁰⁰

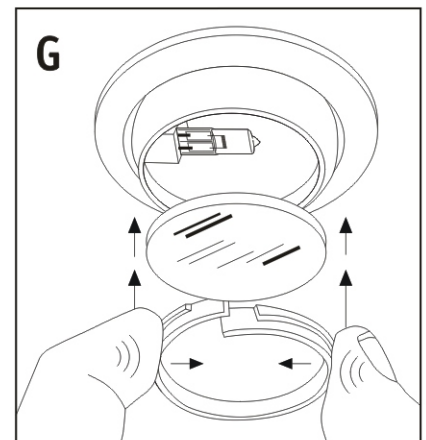
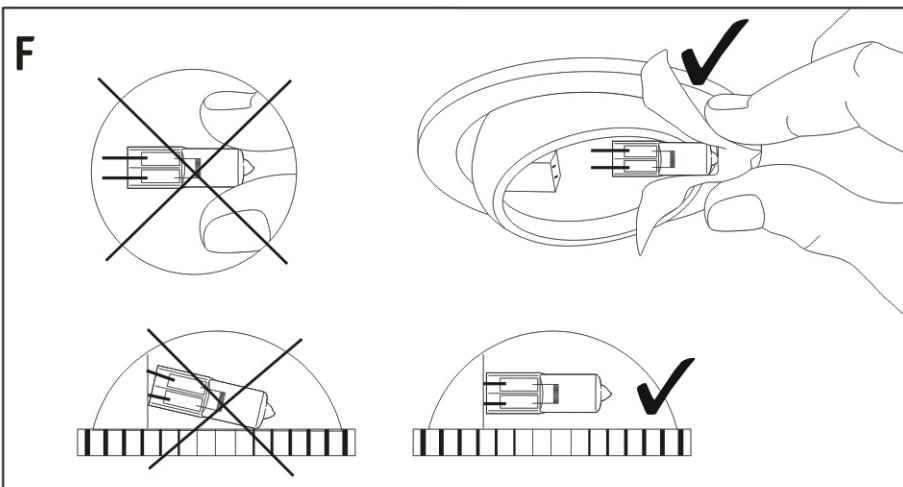
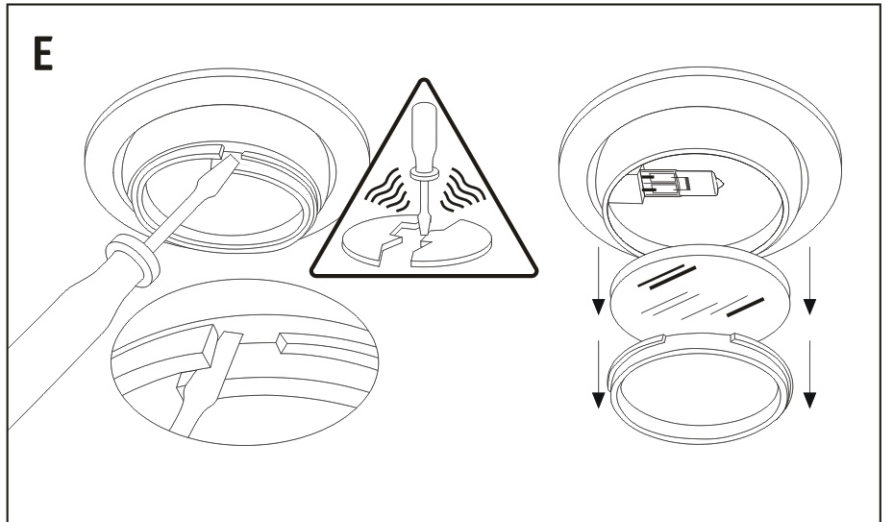
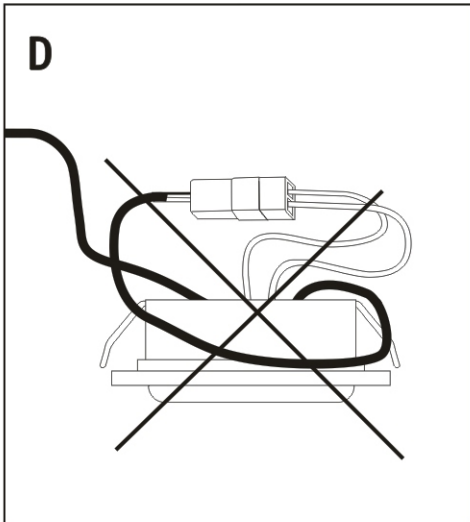
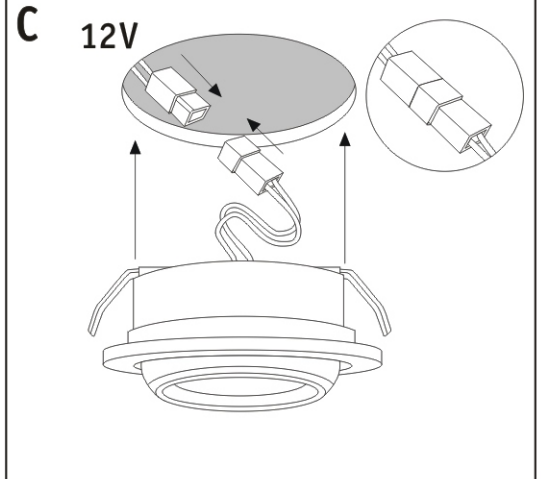
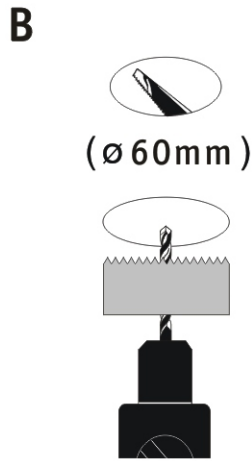
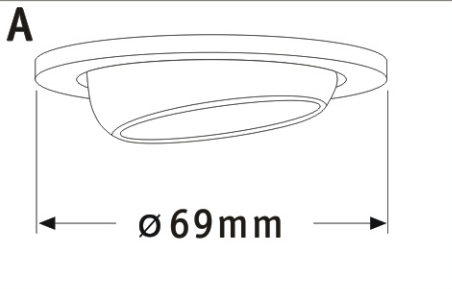
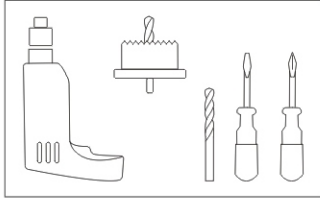
Fr. 7⁰⁰ - 17⁰⁰

Paulmann Licht GmbH
31832 Springe / Germany
www.paulmann.com

Art.-Nr.:
507000320

(+MA 173)

PB0 08/09



10W G4 831.109

20W G4 831.209

