

Safety Instructions



0,1,2,3,4,6,7,8,9,11,15,17
,18,19,22

Info Hotline 

+49 (0) 5041 998 389

Mon. - Do. 7⁰⁰ - 20⁰⁰

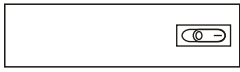
Fr. 7⁰⁰ - 17⁰⁰



Paulmann Licht GmbH
31832 Springe / Germany
www.paulmann.com

Art.-Nr.:
930.00
930.01
930.02
930.03
986.31
986.32
986.37
986.38
(+MA 173)
PCL 05/09

930.00/930.01/930.02/930.03



x1

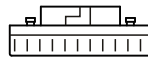


x2

986.31/986.32/986.37/986.38



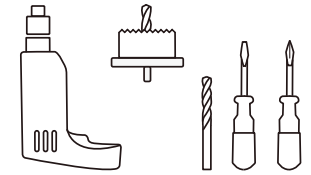
x3



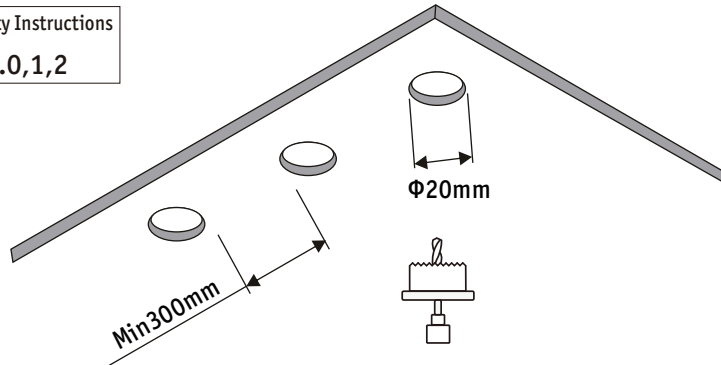
x3



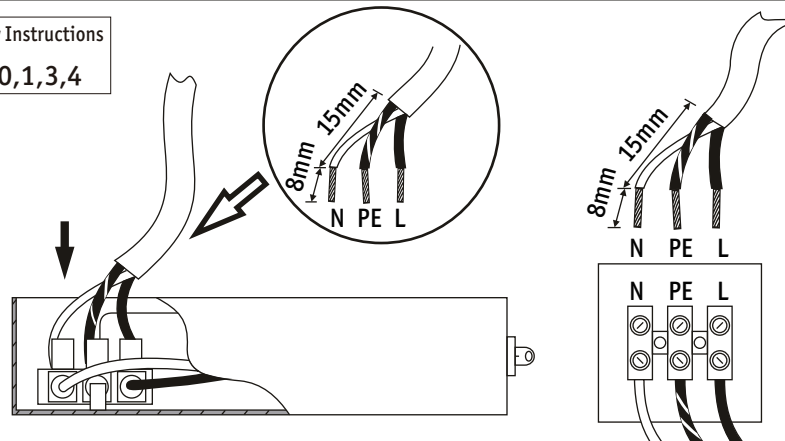
x6



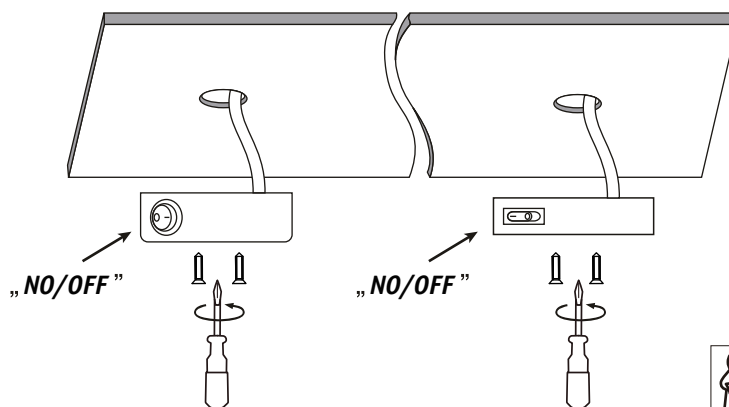
A  Safety Instructions
Nr.0,1,2




B  Safety Instructions
Nr.0,1,3,4

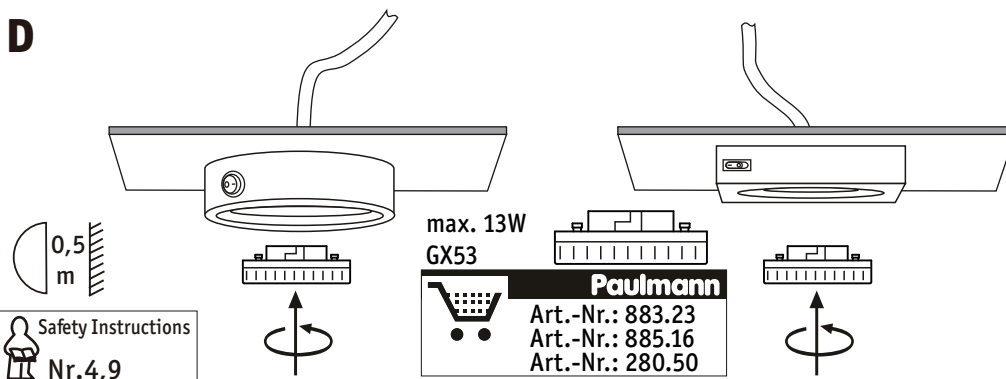



C



 Safety Instructions
Nr.4

D



 Safety Instructions
Nr.4,9