



Safety Instructions



0,1,4,6,7,8,9,11,15,
17,19,22



Info Hotline

+49 (0) 5041 998 389

Mon. - Do. 7⁰⁰ - 20⁰⁰

Fr. 7⁰⁰ - 17⁰⁰

Paulmann Licht GmbH
31832 Springe / Germany
www.paulmann.com

Art.-Nr.:

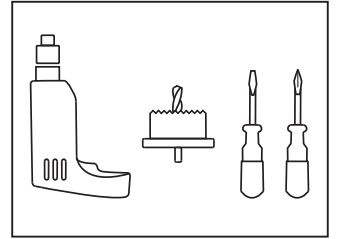
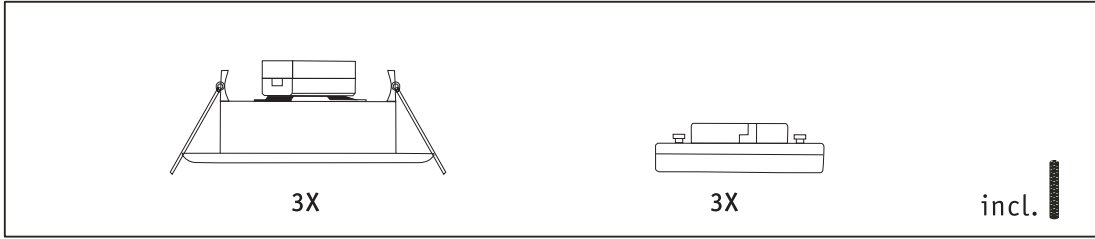
986.34

986.35

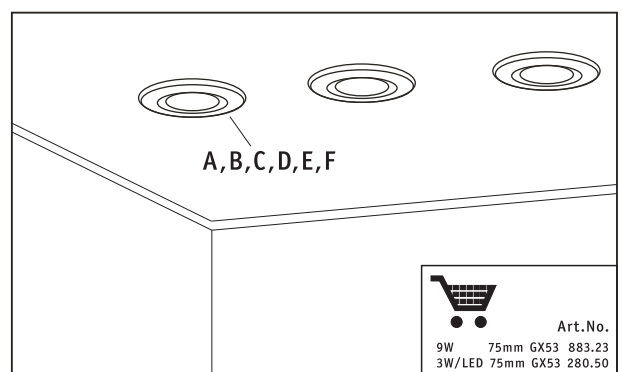
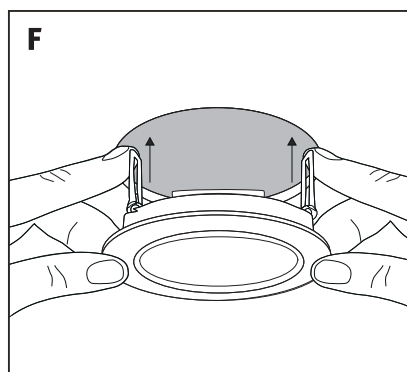
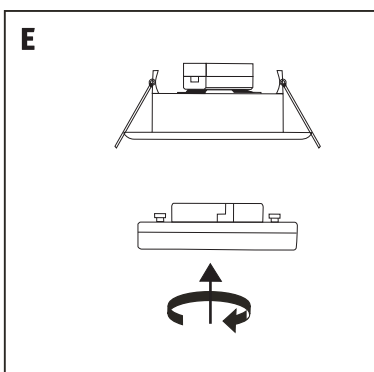
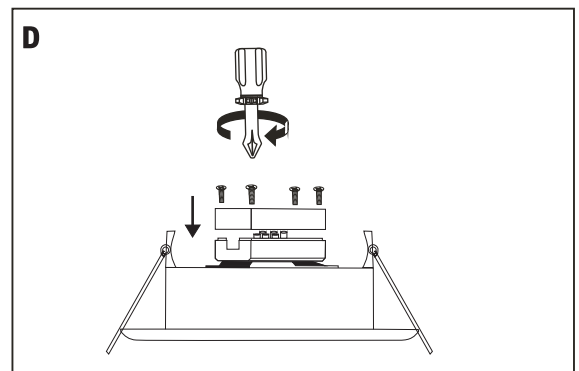
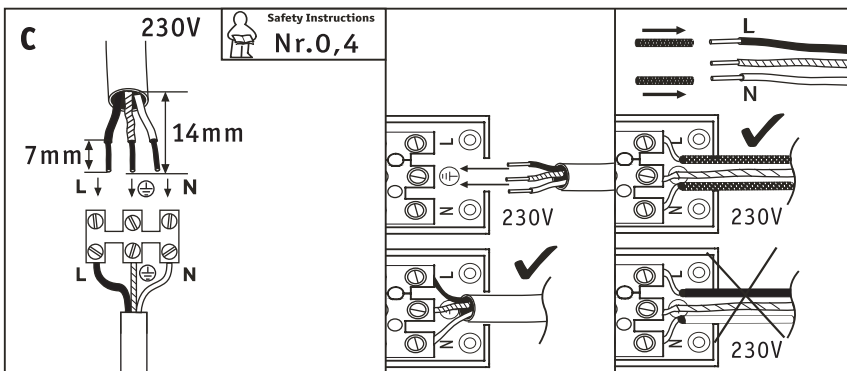
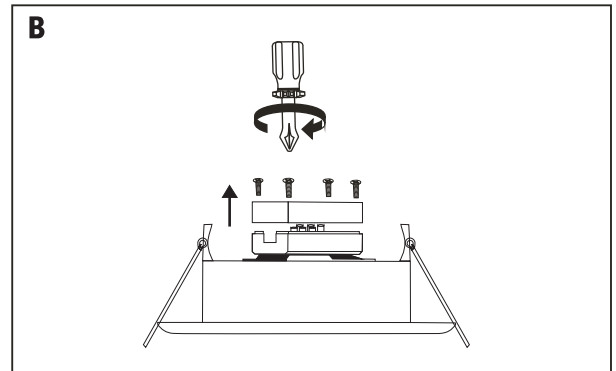
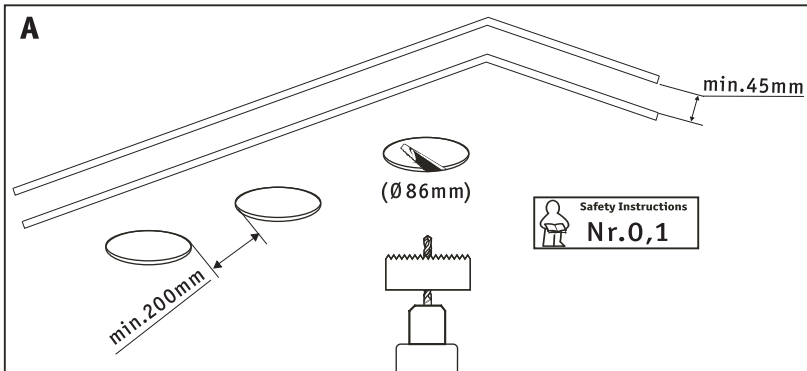
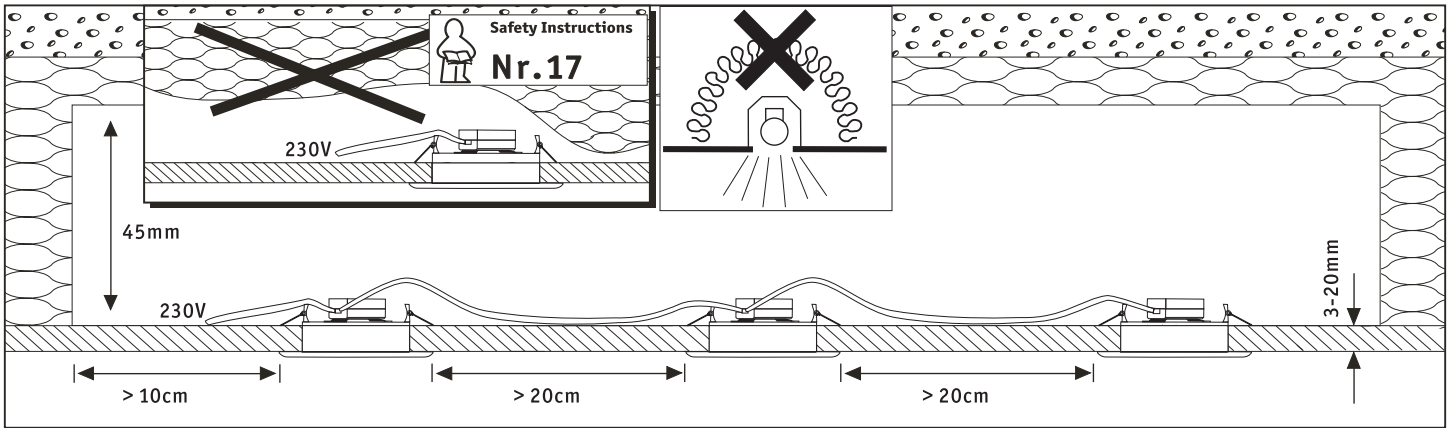
986.36

(+MA 173)

PBO 05/12



incl.



Art.No.

9W 75mm GX53 883.23
3W/LED 75mm GX53 280.50