

Safety Instructions



0, 1, 2, 3, 4, 6, 7, 8, 10, 15, 18, 25, 26, 27



Info Hotline

+49 (0) 5041 998 389

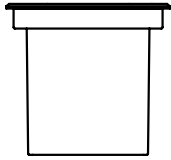
Mon.-Do. 7⁰⁰-20⁰⁰
Fr. 7⁰⁰-17⁰⁰

Paulmann Licht GmbH
31832 Springe / Germany
www.paulmann.com

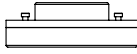
Art.-Nr.:
98843

(+MA 173)

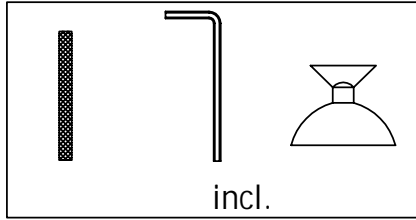
PDG 08/12



1X



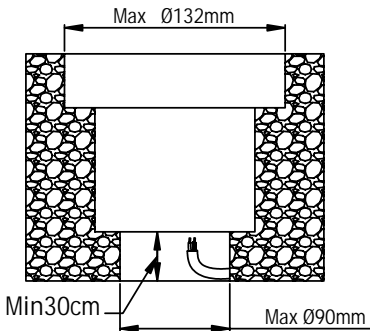
1X



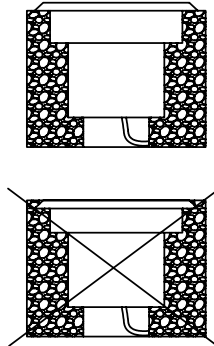
incl.



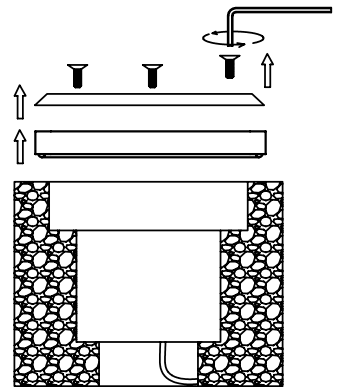
A Safety Instructions
Nr. 0,1,2



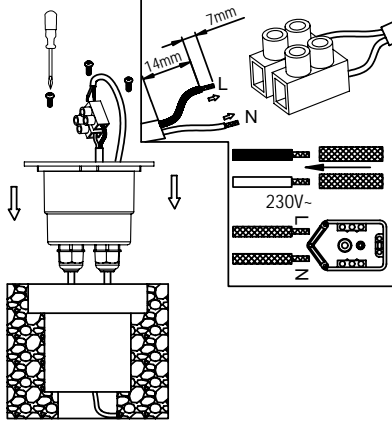
B Safety Instructions
Nr. 0,1



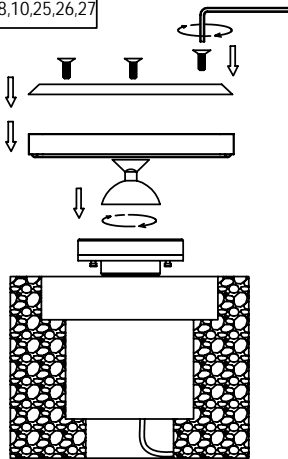
C



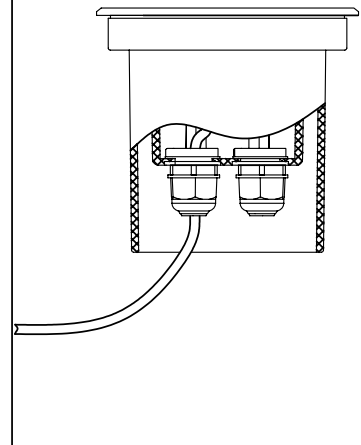
D Safety Instructions
Nr. 0,1,3,4



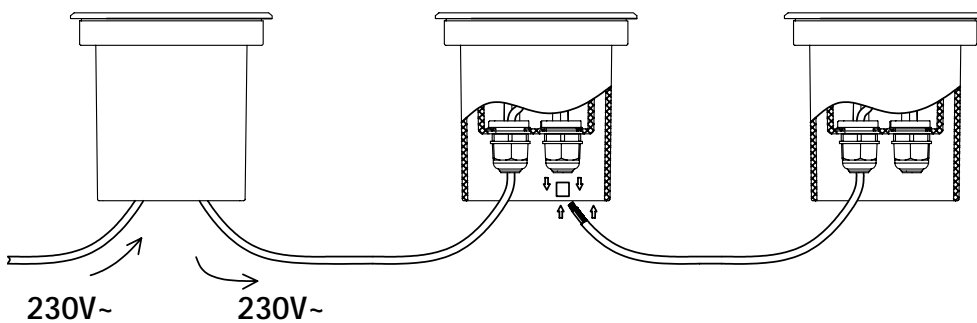
E Safety Instructions
Nr. 7,8,10,25,26,27



F



G



Art.No.
7W 2700K GX53 88514

(Max.10)