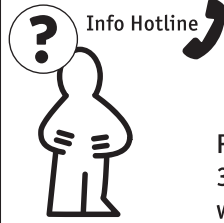




Safety Instructions



0,1,4,6,7,8,9,11,15,
17,19,20,22,25

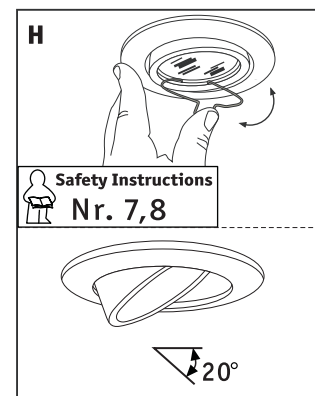
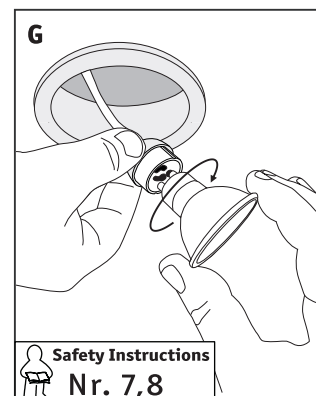
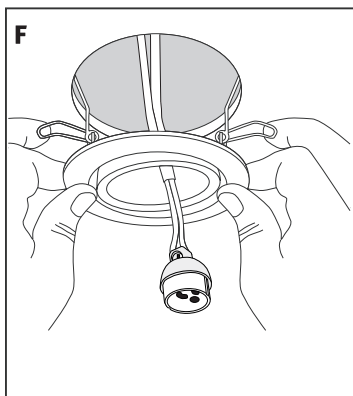
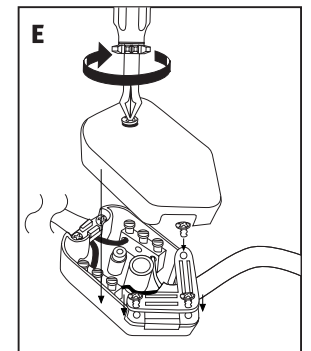
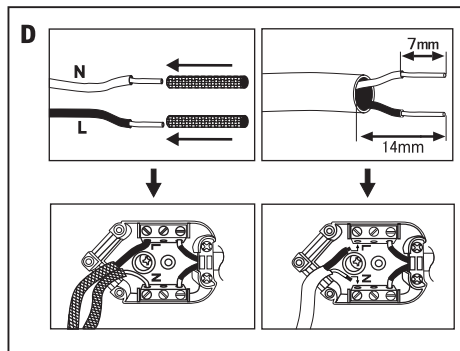
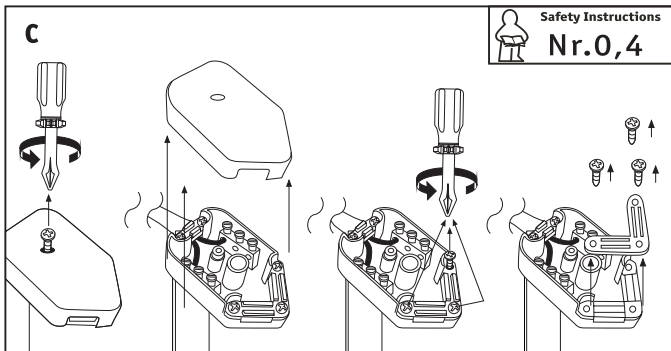
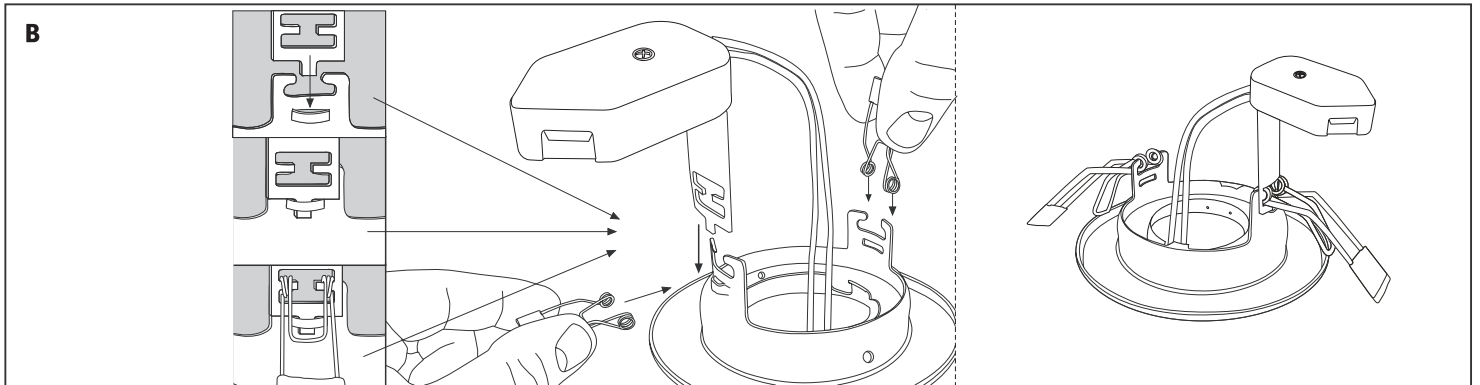
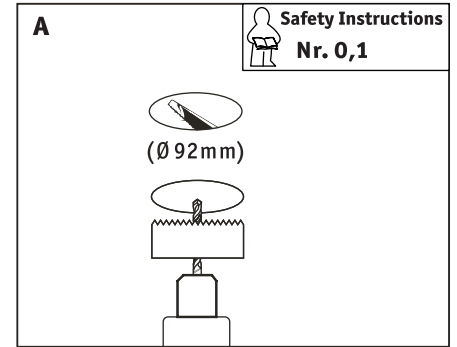
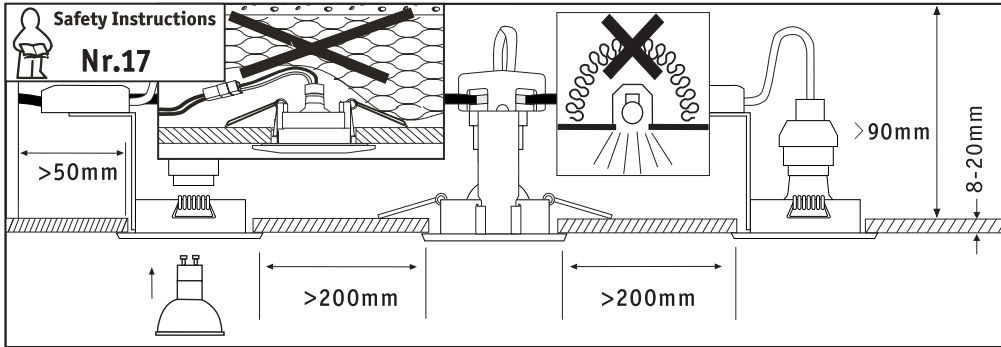
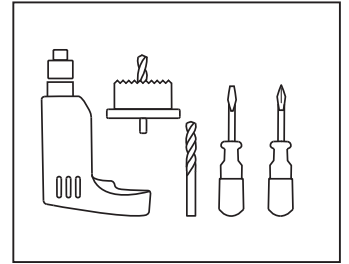


Info Hotline **+49 (0) 5041 998 389**
Mon. - Do. 7⁰⁰ - 20⁰⁰
Fr. 7⁰⁰ - 17⁰⁰

Paulmann Licht GmbH
31832 Springe / Germany
www.paulmann.com

Art.-Nr.:
989.16/19
989.96/99
920.15/16
987.09/32
(+MA 173)
PBO 11/12

<p>989.16 989.19</p> <p>incl.</p> <p>4x 4x 4x</p>	<p>989.96 989.99</p> <p>incl.</p> <p>2x 2x 2x</p>	<p>920.15 920.16</p> <p>incl.</p> <p>1x 1x 1x</p>	<p>987.09 987.32</p> <p>incl.</p> <p>3x 3x 3x</p>
---	---	---	---



Safety Instructions Nr. 9

A, B, C, D, E, F, G, H

$>0,5\text{m} = \begin{matrix} 0,5 \\ \text{m} \end{matrix}$

Art.No.

● 25W	51mm GU10	836.33
● 35W	51mm GU10	836.34
● 50W	51mm GU10	836.35
● 1W	3000K 51mm GU10	280.48
● 1W	6500K 51mm GU10	280.11