



Safety Instructions



0,1,4,5b,6,7,8,9,10,11
12,15,16,17,19,20,21
22,23,25



+49 (0) 5041 998 389

Mon. - Do. 7⁰⁰ - 20⁰⁰

Fr. 7⁰⁰ - 17⁰⁰

Paulmann Licht GmbH
31832 Springe / Germany
www.paulmann.com

Art.-Nr.:

988.17/19

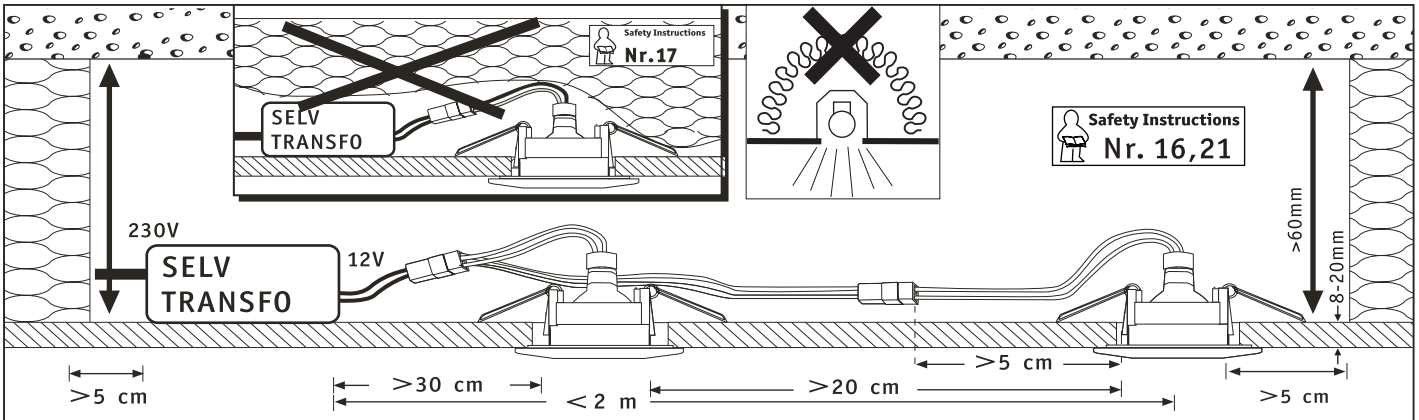
989.24/26/27/

28/29/61/67

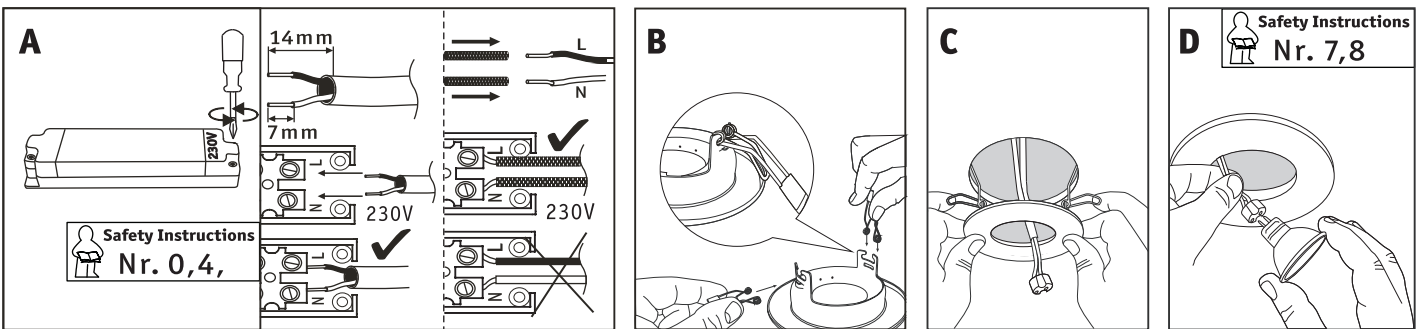
(+MA 173)

PBO 07/12

<p>988.17 988.19</p> <p>5x incl.</p> <p>5x 5x 1x</p>	<p>989.24 989.26 989.27</p> <p>1x 1x</p>	<p>989.28 989.29 989.61</p> <p>3x incl.</p> <p>3x 3x 1x</p>	<p>989.67</p> <p>6x incl.</p> <p>6x 6x 2x</p>	
--	--	---	---	--



	<p>[mm]</p>	<p>[W]</p>	<p>[mm]</p>	<p>[W]</p>	<p>[mm]</p>	<p>[W]</p>	<p>[mm]</p>
	73	50	60	35	60	50	90



<p>E</p> <p>Safety Instructions Nr. 7,8</p>	<p>A, B, C, D, E</p> <p>>0,5m = 0,5m</p> <p>Safety Instructions Nr. 9</p>	<p>COOL BEAM</p> <p>Security</p>	<p>20% ↑</p> <p>80% ↓</p> <p>60% ↑</p> <p>40% ↓</p>	<p>Art. No.</p> <p>20W 51mm GU5.3 832.44</p> <p>35W 51mm GU5.3 832.45</p> <p>50W 51mm GU5.3 832.46</p>
---	--	----------------------------------	---	--