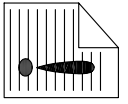


SAFETY INSTRUCTIONS



**SAFETY INSTRUCTIONS**

0,1,2,4,6,7,8,9,10,11,15,18,20,22,24,27

**PAULMANN LICHT GmbH**  
Quezinger Feld 2 • D-31832 Springe

[www.Paulmann.com](http://www.Paulmann.com)

+49 (0) 5041 998 389

7<sup>00</sup> – 20<sup>00</sup>

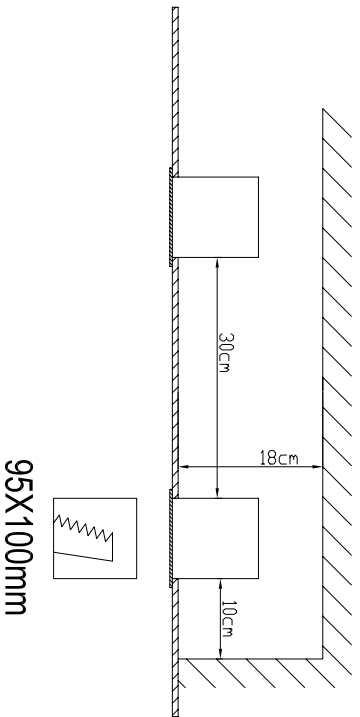
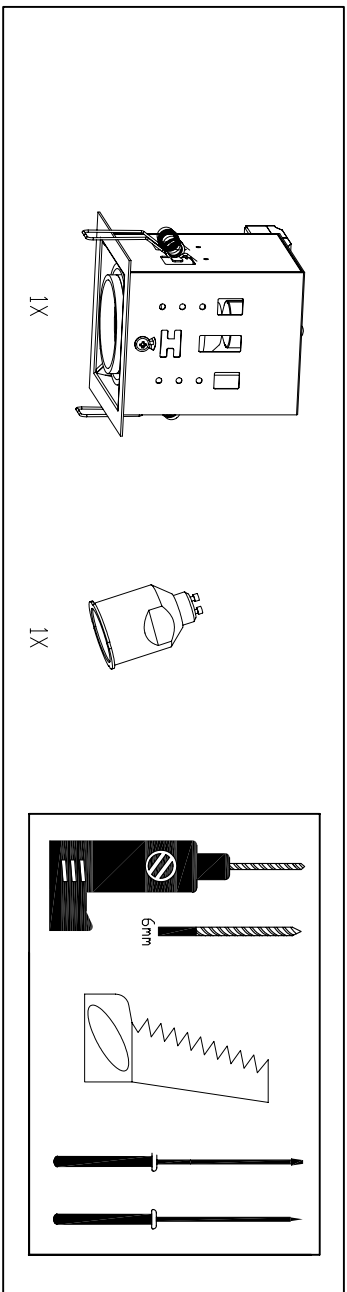
7<sup>00</sup> – 17<sup>00</sup>

Fr.

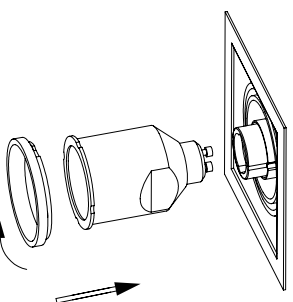
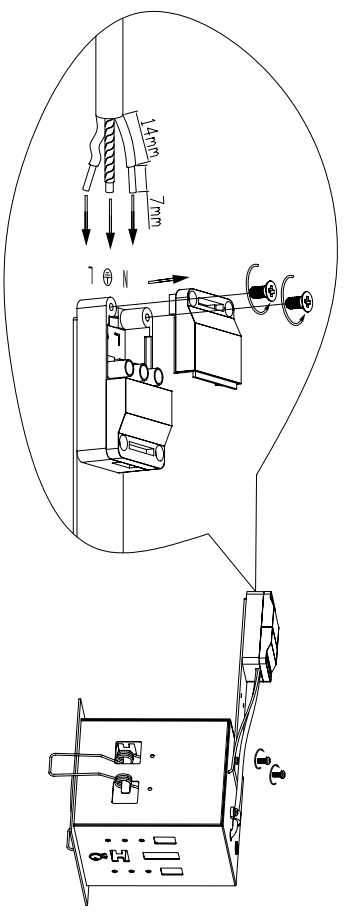
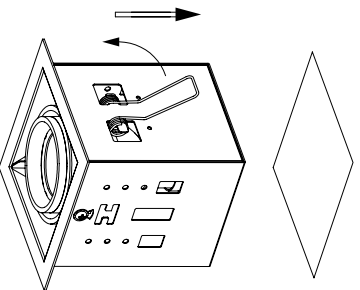


Mo.-Do.

Fr.



95X100mm



A

B

C

D