



Safety Instructions



0,1,2,3,4,5b,6,7,8,9,
10,11,12,13,15,16,17,
19,20,21,22,23,25



Info Hotline

+49 (0) 5041 998 389

Mon.-Do. 7⁰⁰-20⁰⁰

Fr. 7⁰⁰-17⁰⁰

Paulmann Licht GmbH
31832 Springe / Germany
www.paulmann.com

Art.-Nr.:

998.08

998.09

998.07

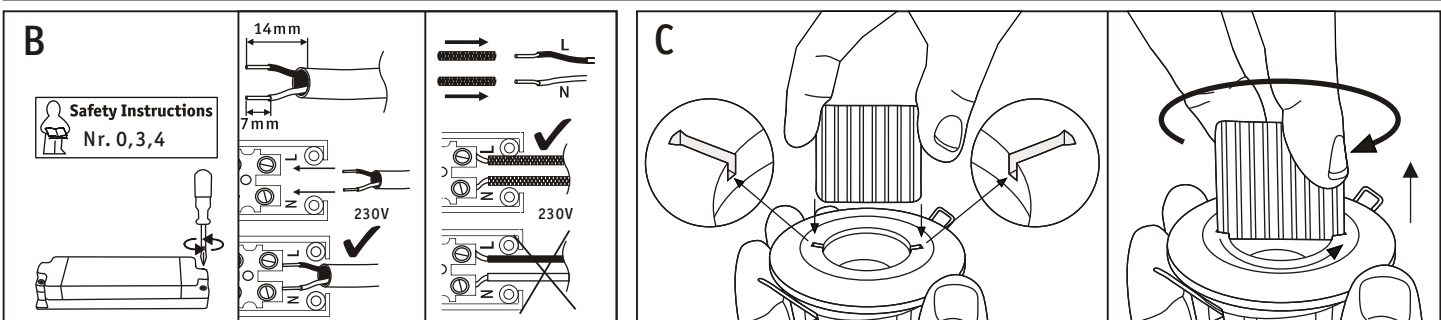
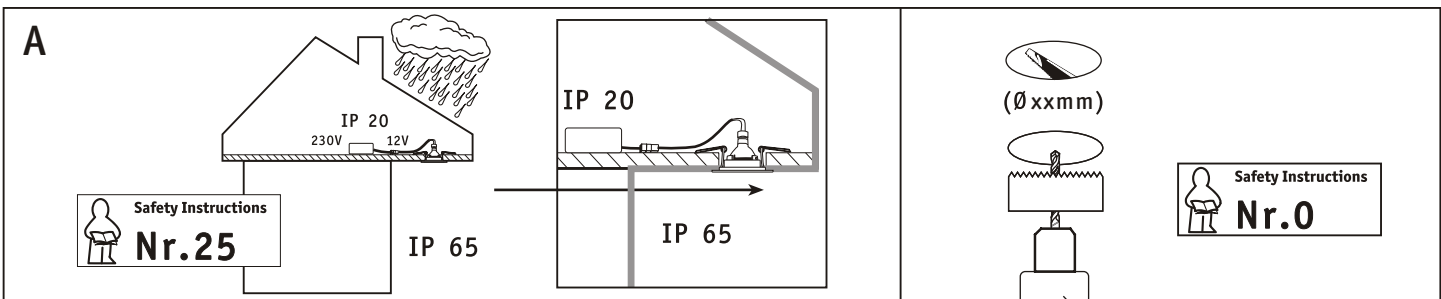
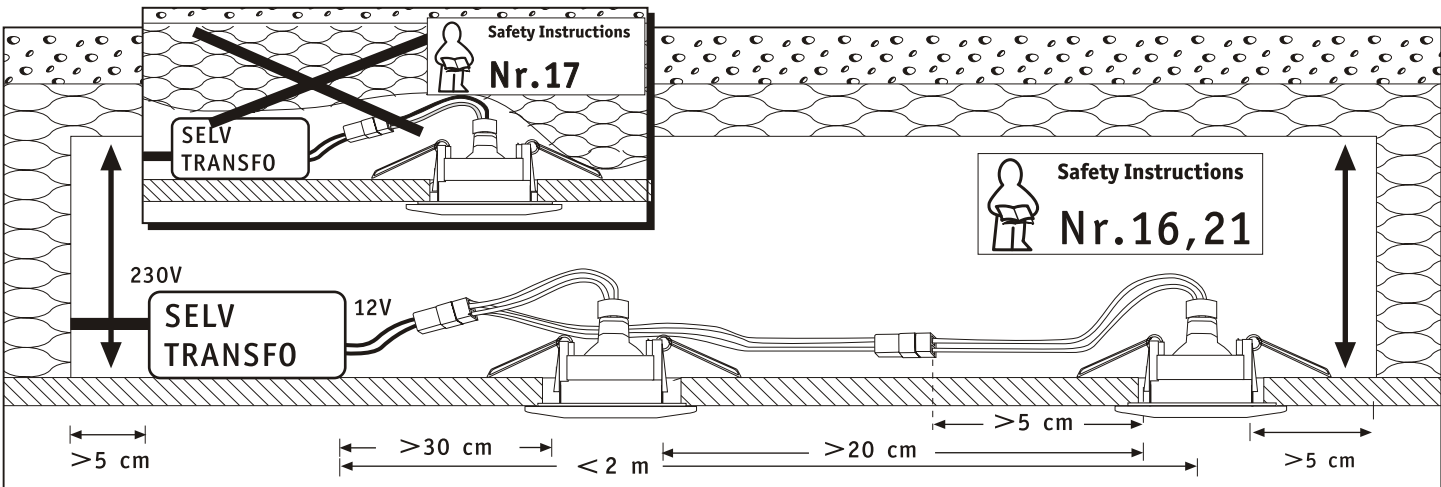
993.94

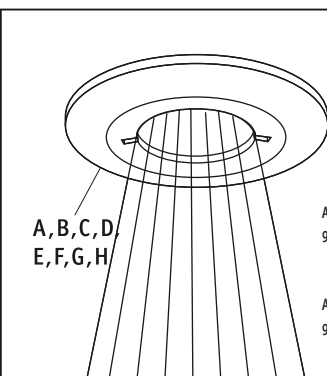
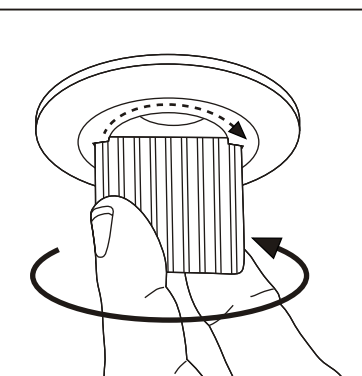
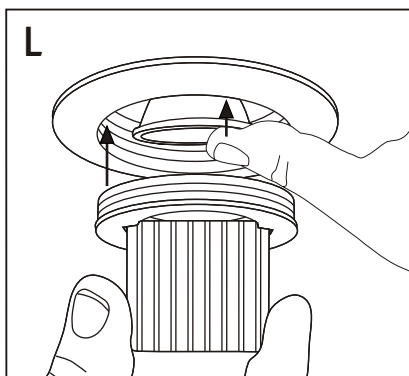
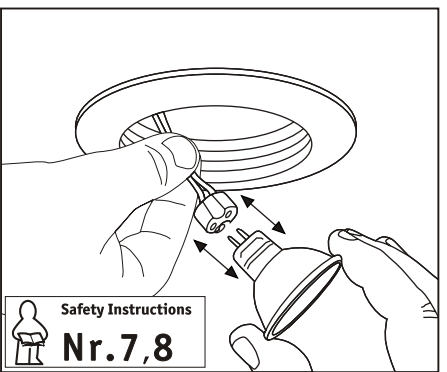
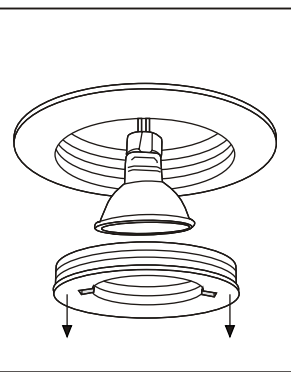
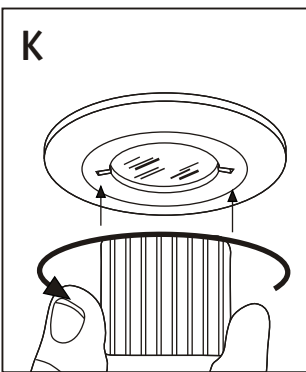
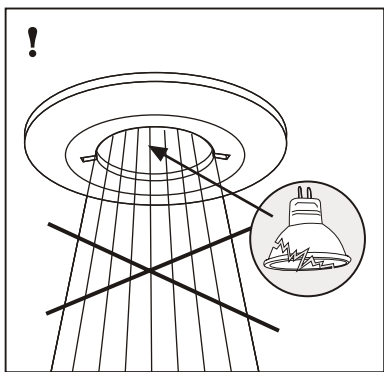
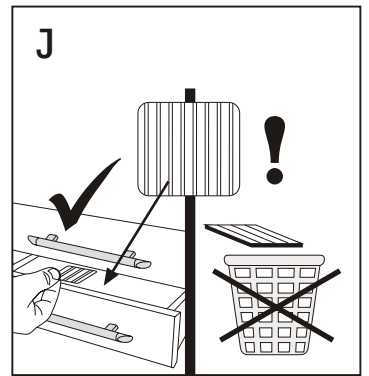
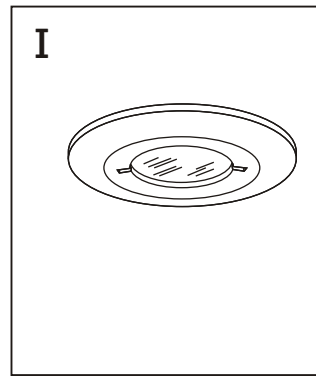
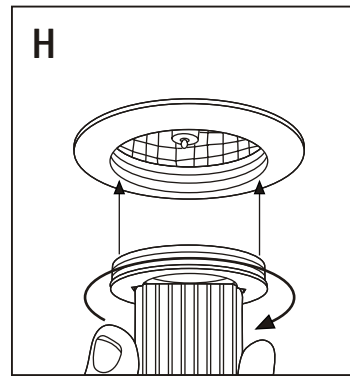
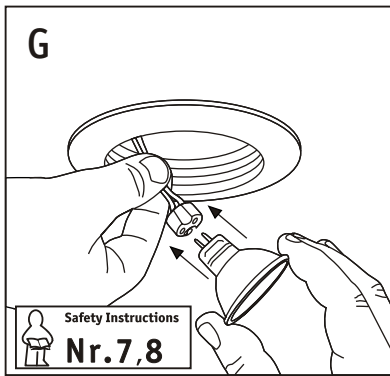
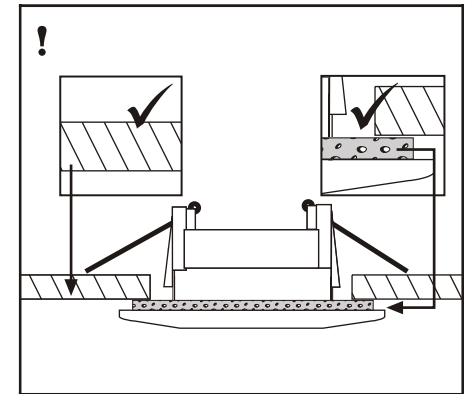
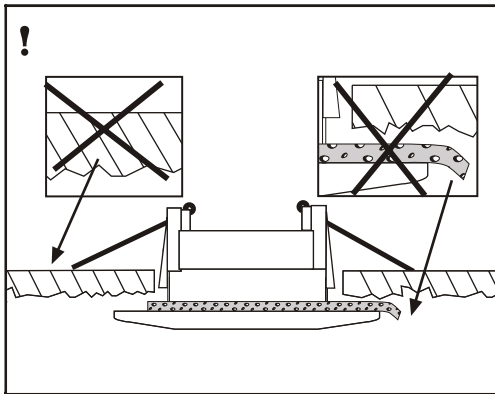
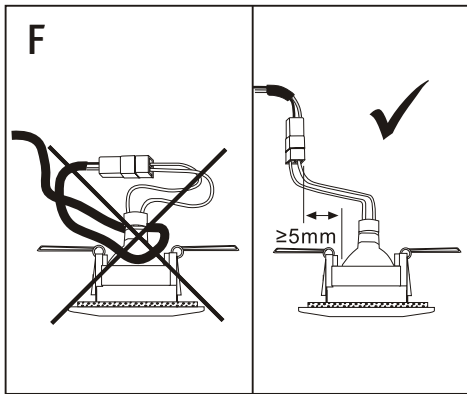
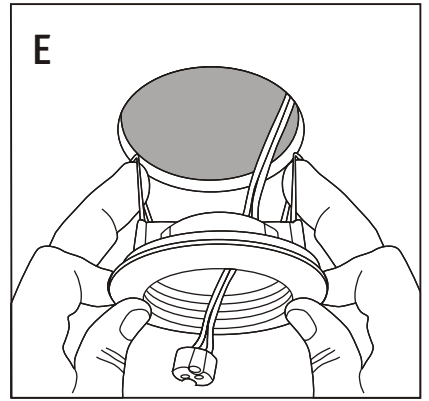
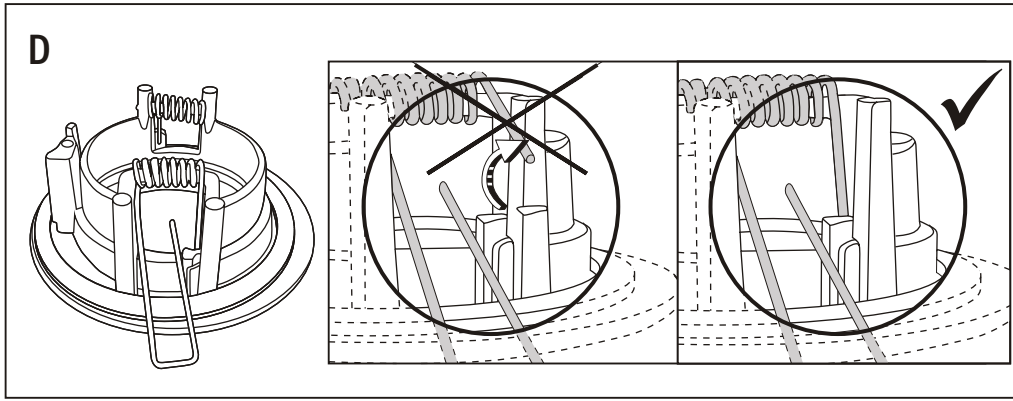
(+MA 173)

PBO XX/XX

998.09 993.94	 1x	 1x	 1x	998.08 998.07	 1x	2x	 3x	 3x	 1x	
------------------	--------	--------	--------	------------------	--------	----	--------	--------	--------	--

Produkt	 Akzent Security [W]	 [mm]	 [m]	 [mmØ]	 [mm]	 [cm]	 [mm]
 Art.-Nr.: 998.08 998.09	20	35	0,5	48	50	≥20	3-20
 Art.-Nr.: 998.07 993.94	35	51	0,5	70	60	≥20	3-20





Art. No.
998.08 / 998.09 →

Art. No.
20W 35mm GU4 822.20
20W 35mm GU4 822.21

Art. No.
998.07 / 993.94 →

Art. No.
35W 50mm GU5.3 832.31