

996.46
(+MA 230)

Paulmann

SAFETY INSTRUCTIONS



SAFETY INSTRUCTIONS



0,1,2,4,5,10,11,12,14,15,16,17,19,21

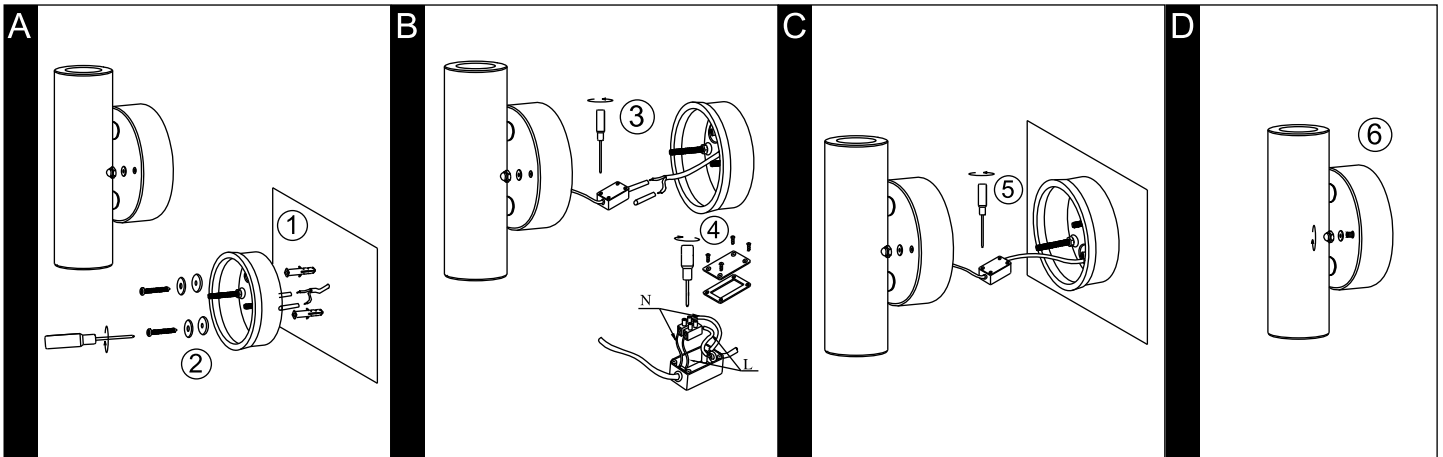
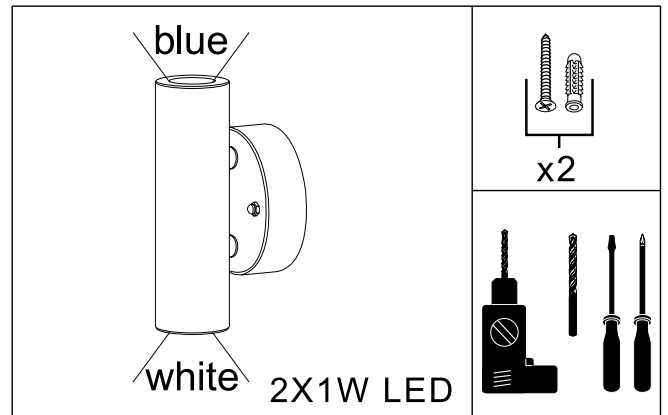


PAULMANN LICHT GmbH
Quezinger Feld 2 • D-31832 Springe
www.Paulmann.com

+49 (0) 5041 998 389

7⁰⁰-20⁰⁰

Mon. - Fri.



Drilling JIG

