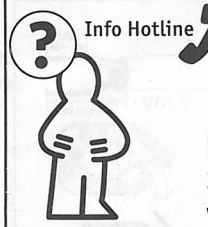




Safety Instructions



0,1,3,4,5b,6,7,8,9,10,
11,12,13,15,16,17,19,
20,21,22,23,25,26,27



Info Hotline +49 (0) 5041 998 389
Mon. - Do. 7⁰⁰ - 20⁰⁰
Fr. 7⁰⁰ - 17⁰⁰

Paulmann Licht GmbH
31832 Springe / Germany
www.paulmann.com

Art.-Nr.:

997.38/39
40/41/42/
43/44/45/
46/47/48/
49/54/55
997.56

(+MA 173) CE
PBO 08/14

997.38
997.39
997.40
997.41

3x

997.42
997.43
997.44
997.45

3x

997.46
997.47
997.48

3x 6x

997.55

3x 3x

incl. 3x1W LED
Paulmann Art.-Nr. 280.11

997.49

3x 1x 3x

incl. 3x35W GU5.3
Paulmann Art.-Nr. 832.45

997.54

3x 3x

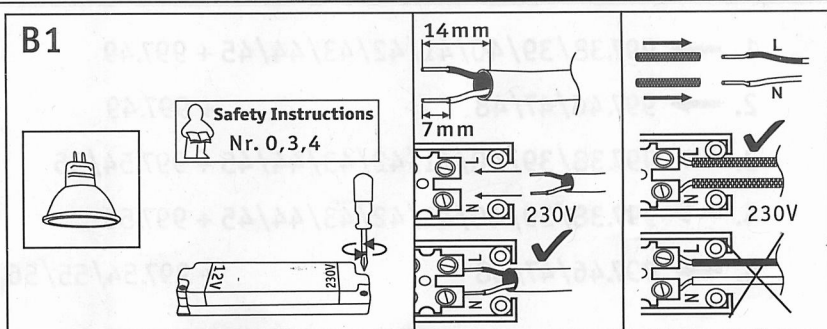
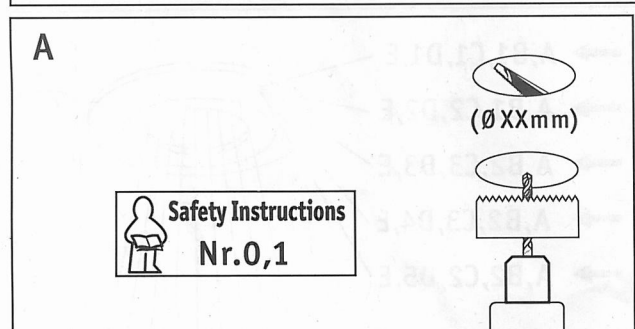
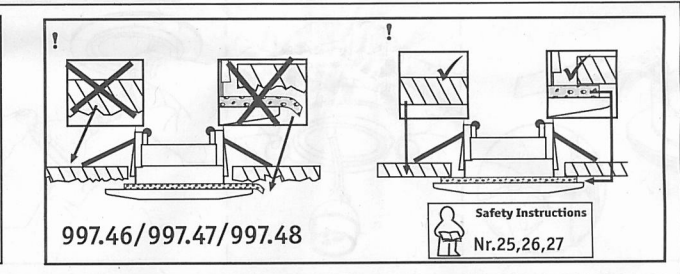
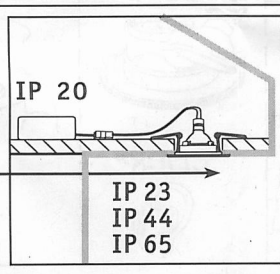
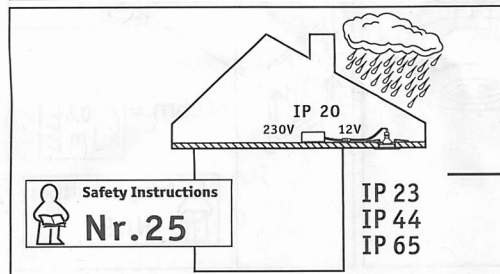
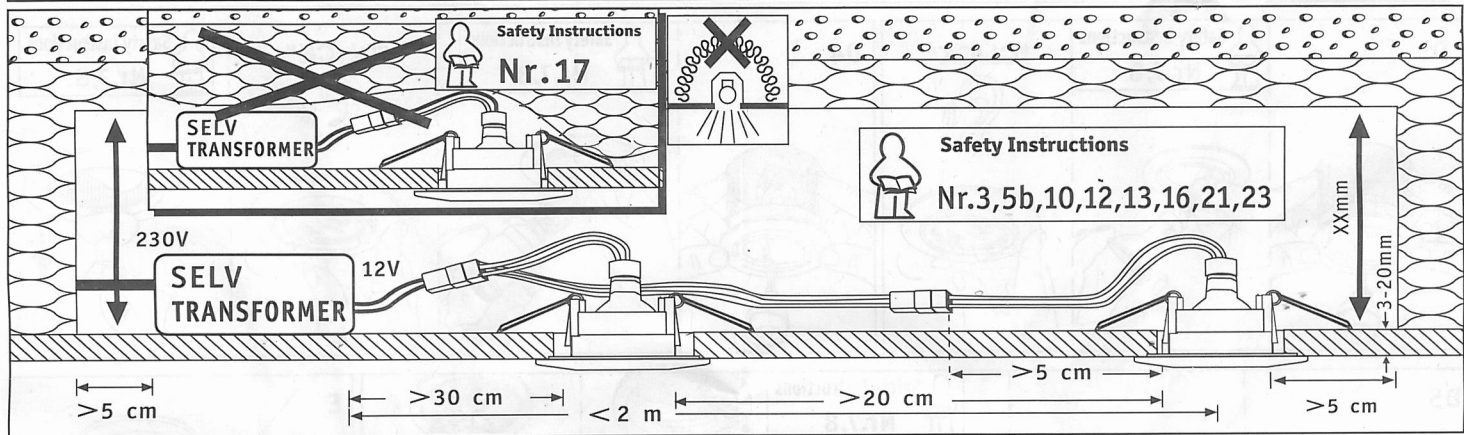
incl. 3x35W Gu10
Paulmann Art.-Nr. 836.36

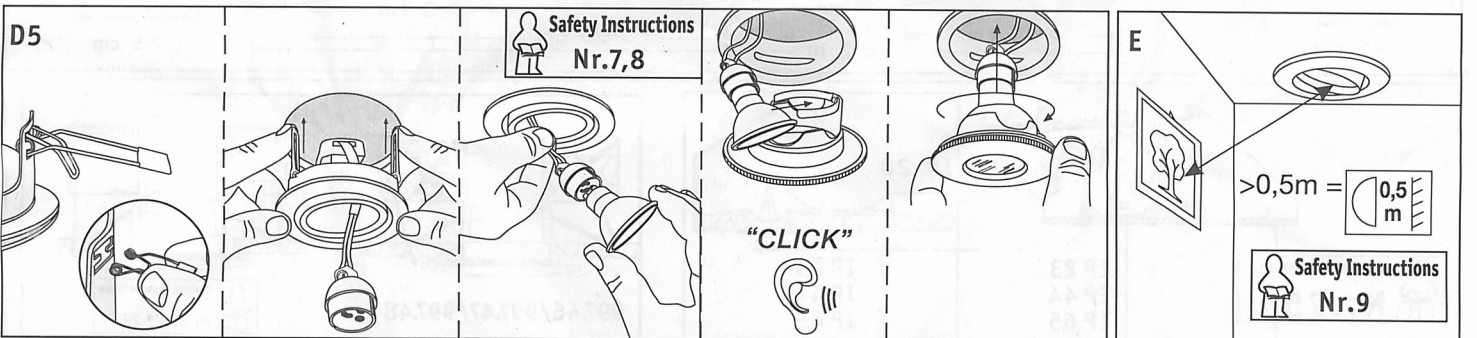
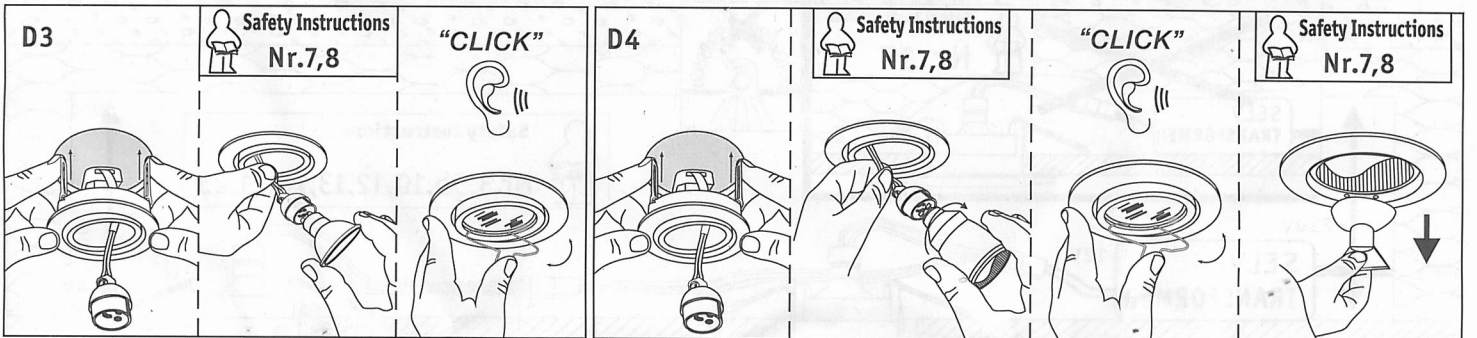
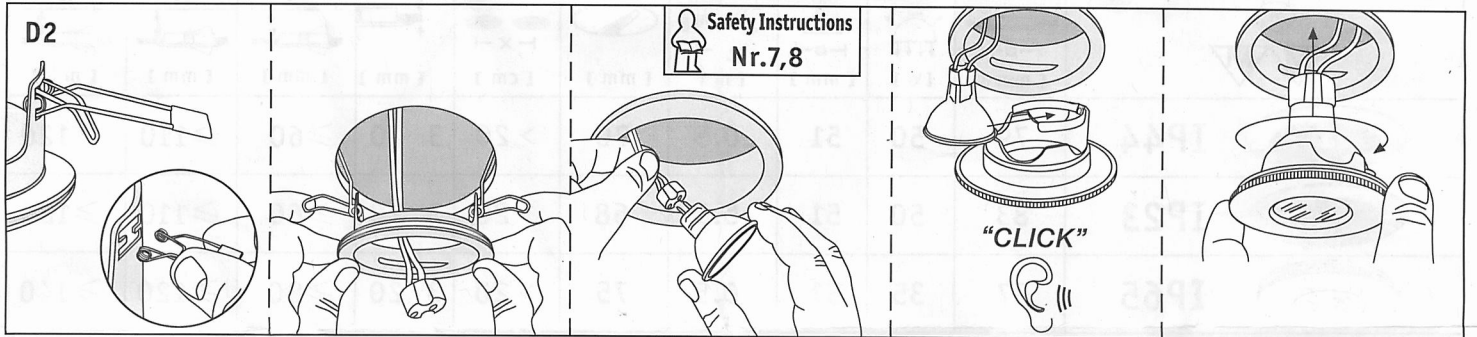
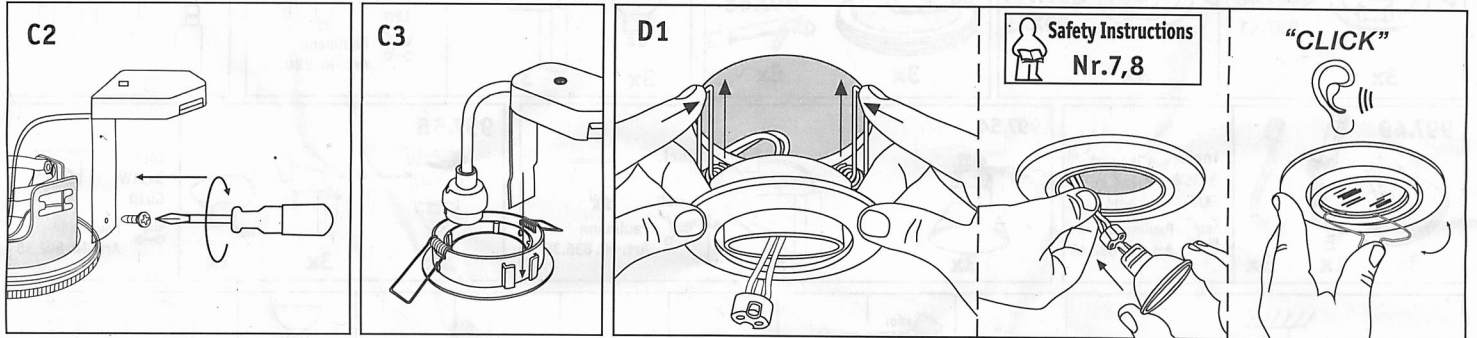
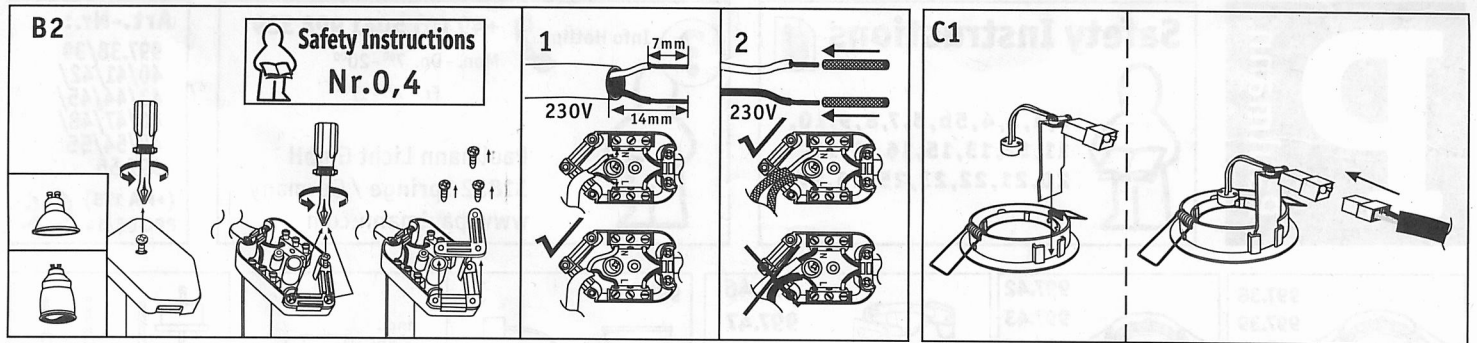
997.56

3x 3x 1x

incl. 3x11W Gu10
Paulmann Art.-Nr. 892.38

	[mm]	[W]	[mm]	[m]	[mm]	[cm]	[mm]	[mm]	[mm]	[mm]	
	IP44	79	50	51	0.5	70	> 20	3-20	≥ 60	≥ 110	≥ 120
	IP23	83	50	51	0.5	68	> 20	3-20	≥ 60	≥ 110	≥ 120
	IP65	87	35	51	0.5	75	> 20	3-20	≥ 80	≥ 120	≥ 140





1. → 997.38/39/40/41/42/43/44/45 + 997.49	→ A,B1,C1,D1,E
2. → 997.46/47/48 + 997.49	→ A,B1,C2,D2,E
3. → 997.38/39/40/41/42/43/44/45 + 997.54/55	→ A,B2,C3,D3,E
4. → 997.38/39/40/41/42/43/44/45 + 997.56	→ A,B2,C3,D4,E
5. → 997.46/47/48 + 997.54/55/56	→ A,B2,C2,D5,E