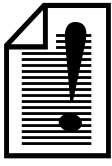


99778
(+MA 173)

Paulmann

SAFETY INSTRUCTIONS



SAFETY INSTRUCTIONS



0, 1, 2, 6, 10, 11, 15, 18, 25, 27,

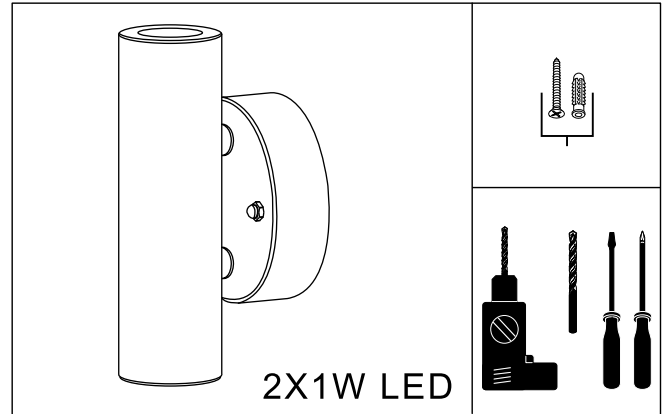


PAULMANN LICHT GmbH
Quezinger Feld 2 • D-31832 Springe
www.Paulmann.com

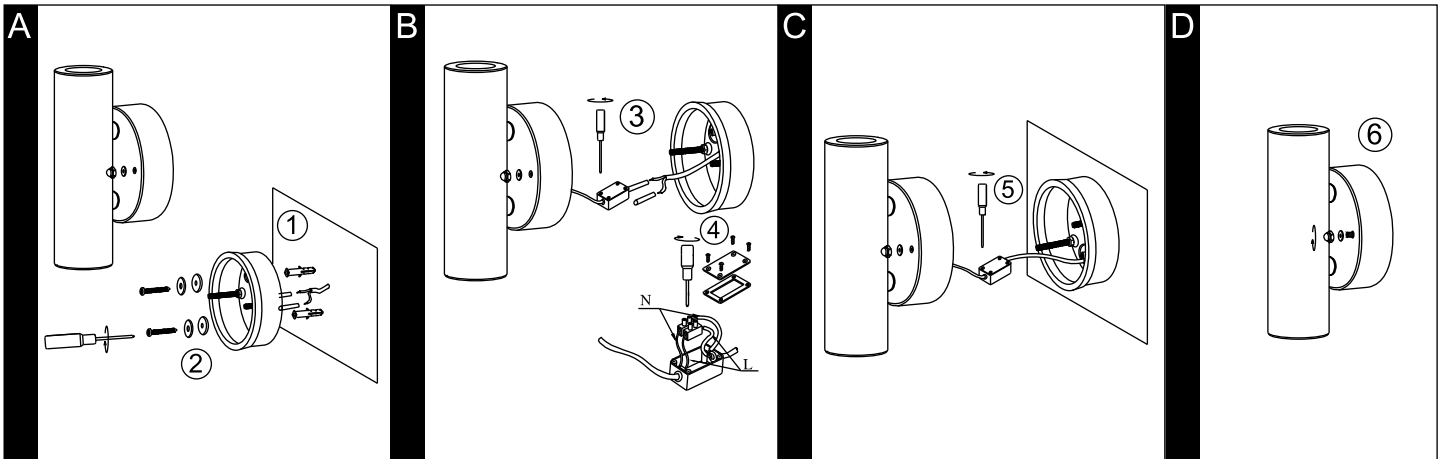
+49 (0) 5041 998 389

7⁰⁰-20⁰⁰

Mon. - Fri.



2X1W LED



Drilling JIG

