



Safety Instructions



0,1,2,3,4,5b,6,7,8,9,
10,11,12,13,15,16,17,
19,20,21,22,23,25



Info Hotline

+49 (0) 5041 998 389

Mon.-Do. 7⁰⁰-20⁰⁰

Fr. 7⁰⁰-17⁰⁰

Paulmann Licht GmbH
31832 Springe / Germany
www.paulmann.com

Art.-Nr.:

998.08

998.09

998.07

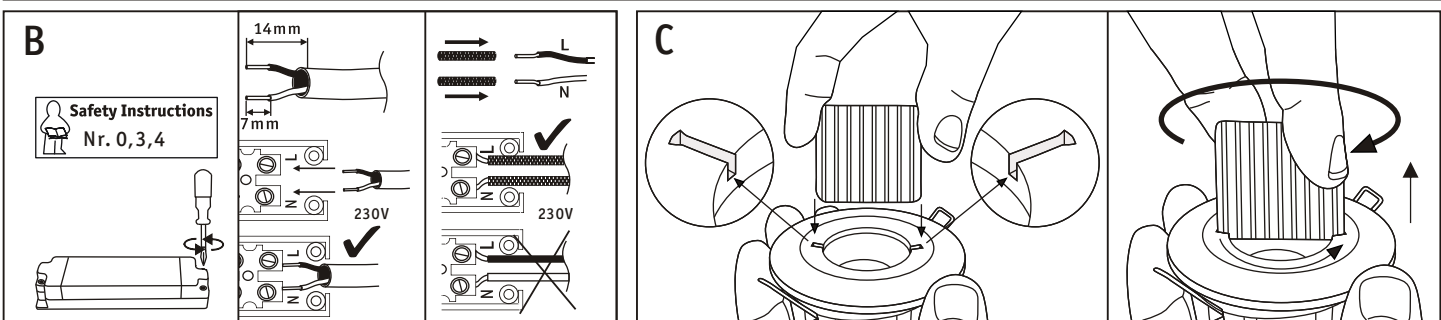
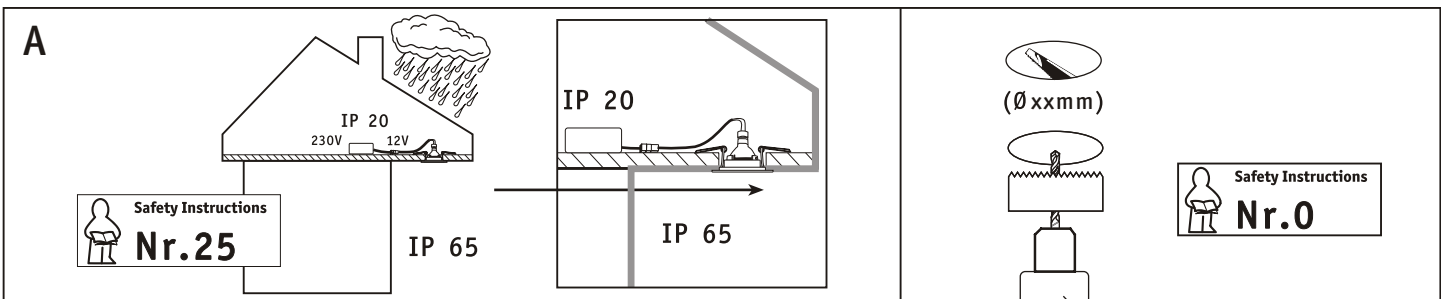
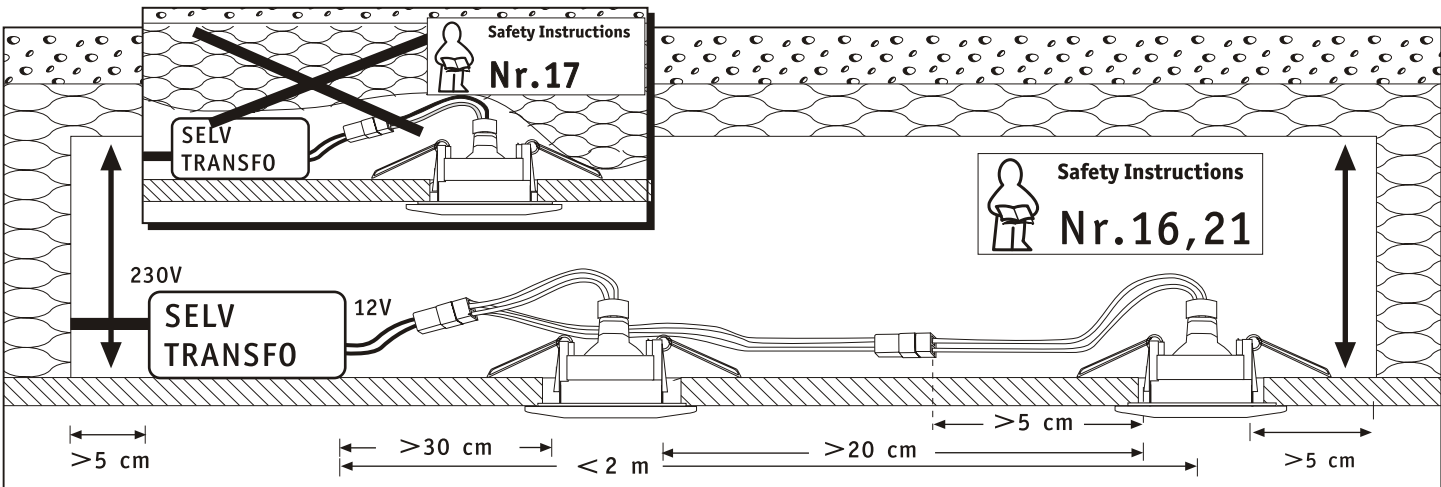
993.94

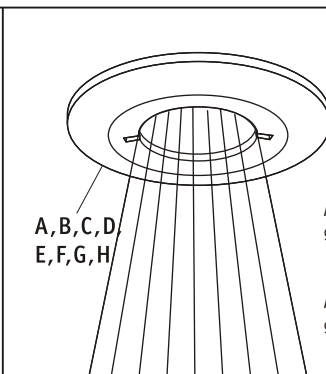
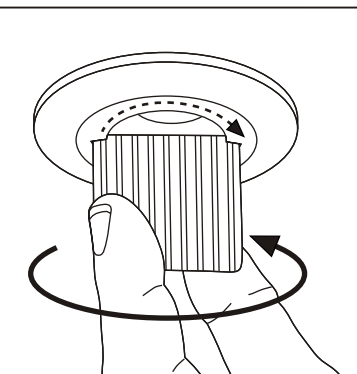
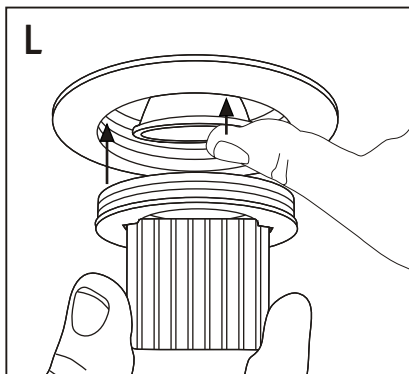
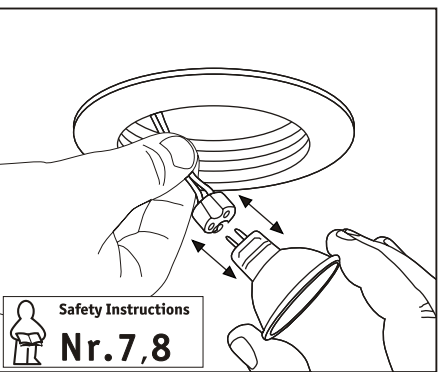
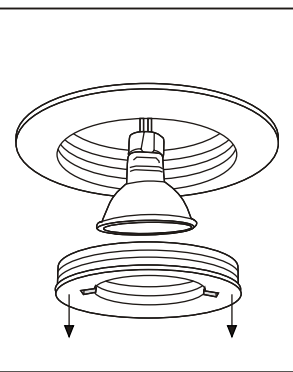
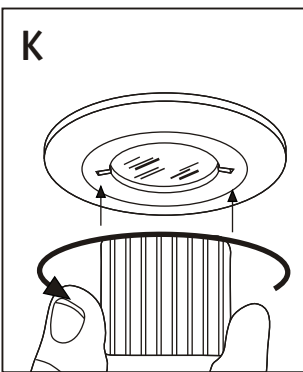
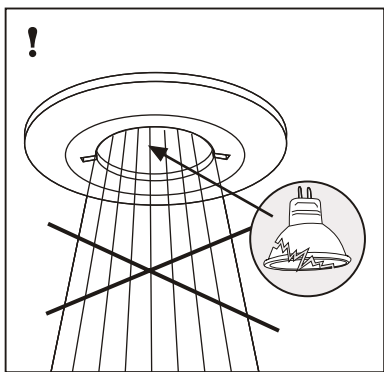
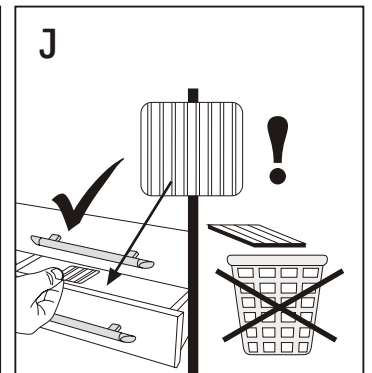
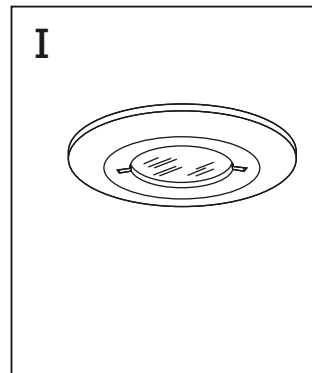
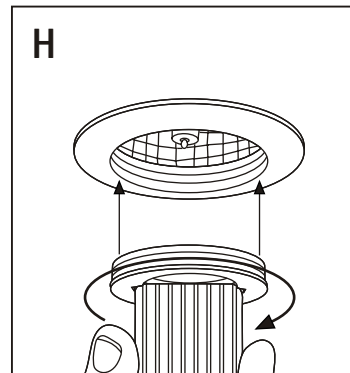
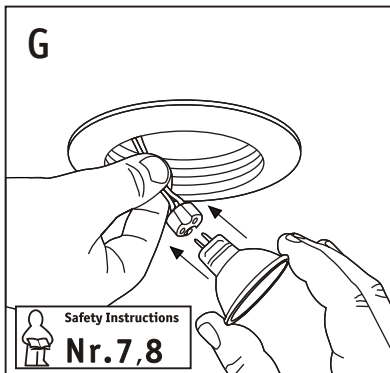
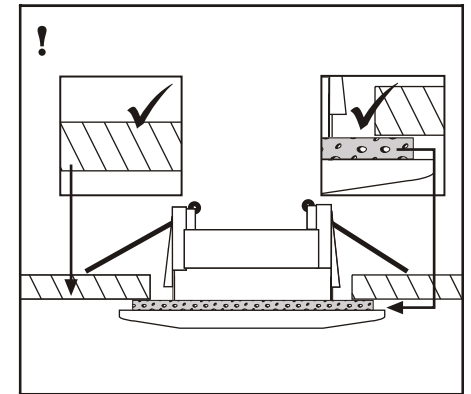
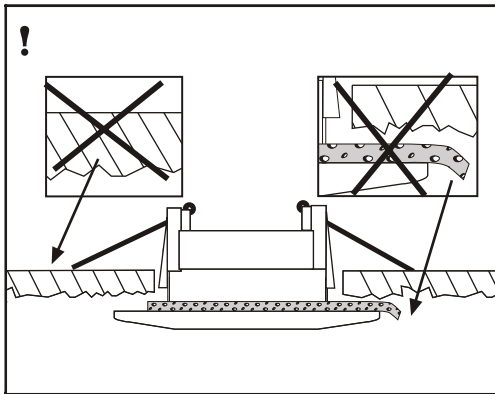
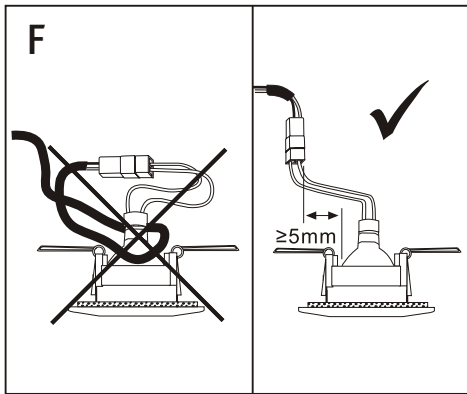
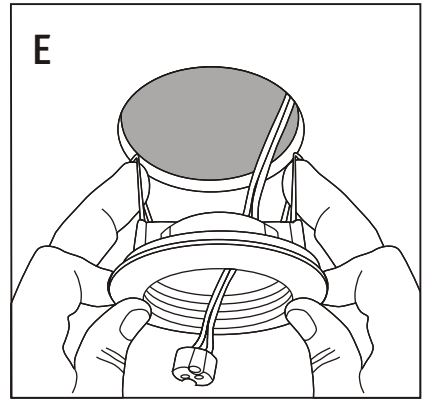
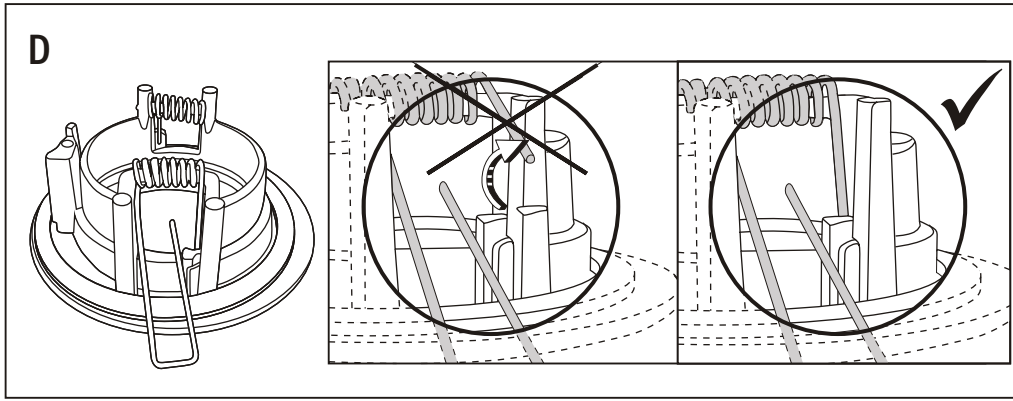
(+MA 173)

PBO XX/XX

998.09 993.94		1x		1x		1x	998.08 998.07		1x	2x		3x		3x	1x	
------------------	--	----	--	----	--	----	------------------	--	----	----	--	----	--	----	----	--

Produkt		Akzent Security [W]		[mm]		[m]		[mmø]		[mm]		[cm]		[mm]
	Art.Nr.: 998.08 998.09	20	35	0,5	48	50	≥20	3-20						
	Art.Nr.: 998.07 993.94	35	51	0,5	70	60	≥20	3-20						





Art. No.
998.08 / 998.09 →

Art. No.
20W 35mm GU4 822.20
20W 35mm GU4 822.21

Art. No.
998.07 / 993.94 →

Art. No.
35W 50mm GU5.3 832.31