



Paulmann

Safety Instructions

1,2,3,4,5,6,7,10,11,12,14,15
16,17,19,20,22,23,24,25,26,
27,32,33,34

31.08.2021 | 01.09.2021

ENERGY LABEL 874/2012 | ENERGY LABEL 2019/2015

A++ - A | F

LED

www.paulmann.com/symbols

Paulmann Licht GmbH
Quezinger Feld 2
31832 Springe
Germany

www.paulmann.com

Art.-Nr.: 939.19
939.20

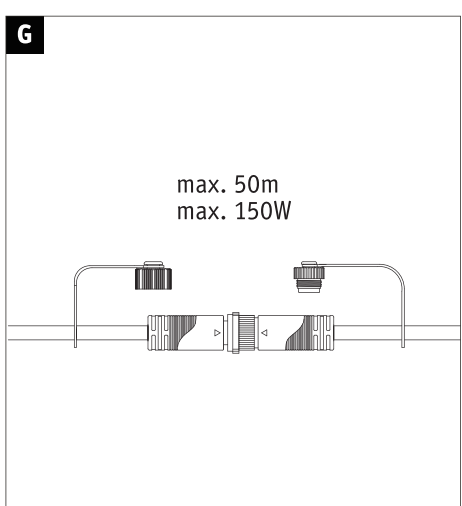
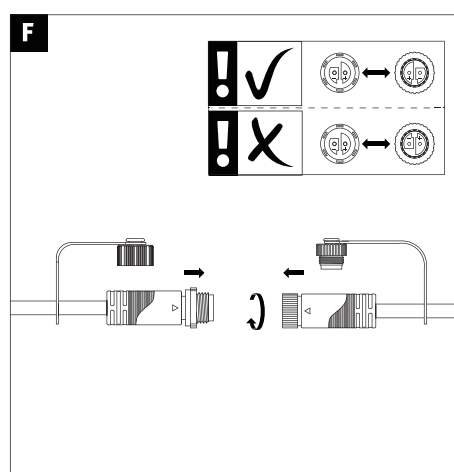
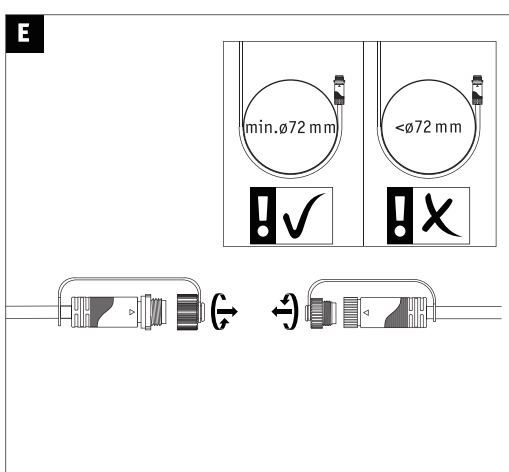
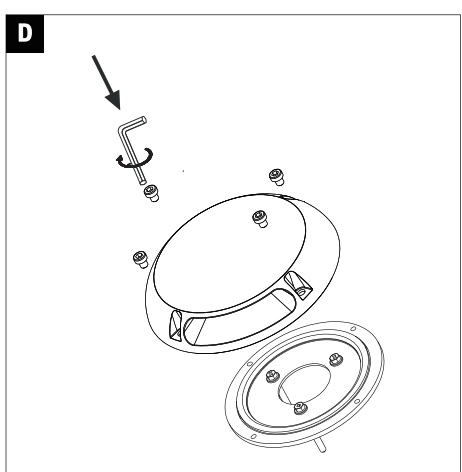
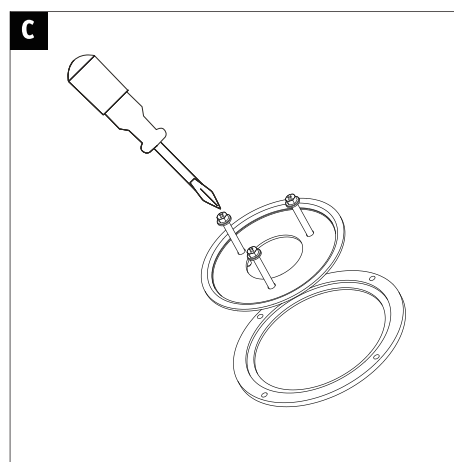
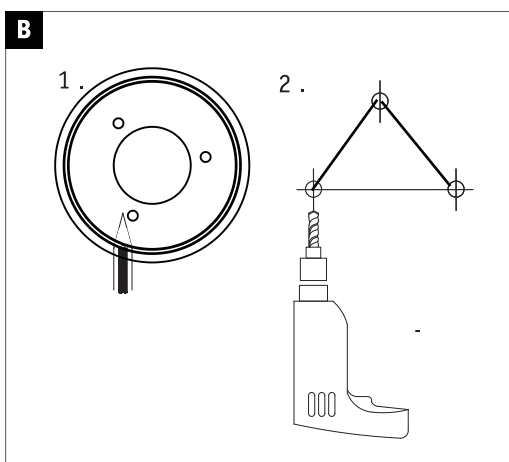
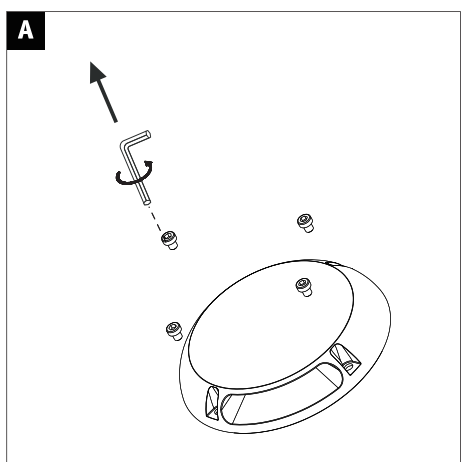
(+MA 326) PLRU 07/22

IP 67

939.19 | 939.20

1x | 1x | incl.

CE UK CA



H

not incl.

Control Box | Remote Control

Paulmann
Art.-Nr. 180.11

