

Safety Instructions

1,2,3,4,5,6,7,8,12,13,19,
28,33,34,...



Info Hotline



+49 (0) 5041 998 389

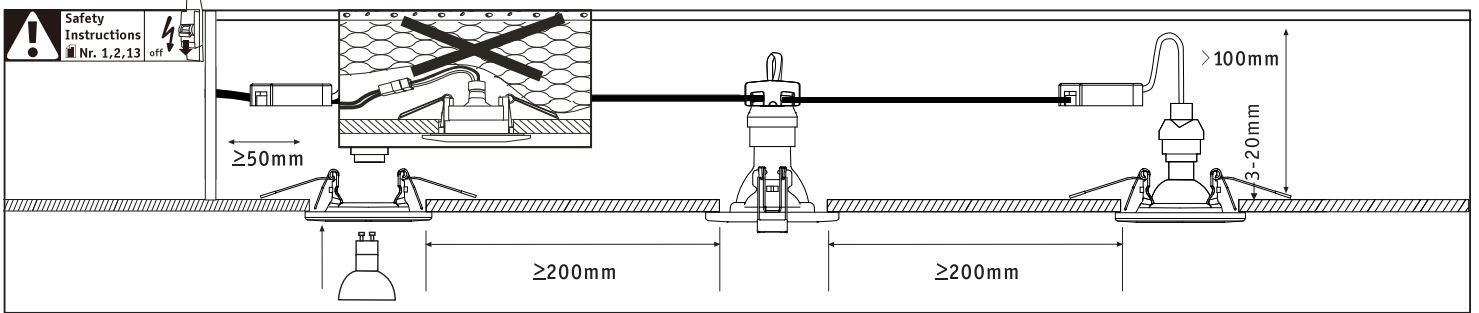
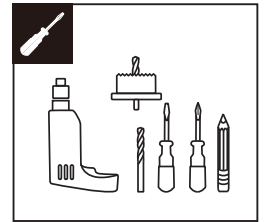
Mon.-Do. 7⁰⁰ - 20⁰⁰

Fr. 7⁰⁰ - 17⁰⁰

Paulmann Licht GmbH
Quezinger Feld 2
31832 Springe
Germany

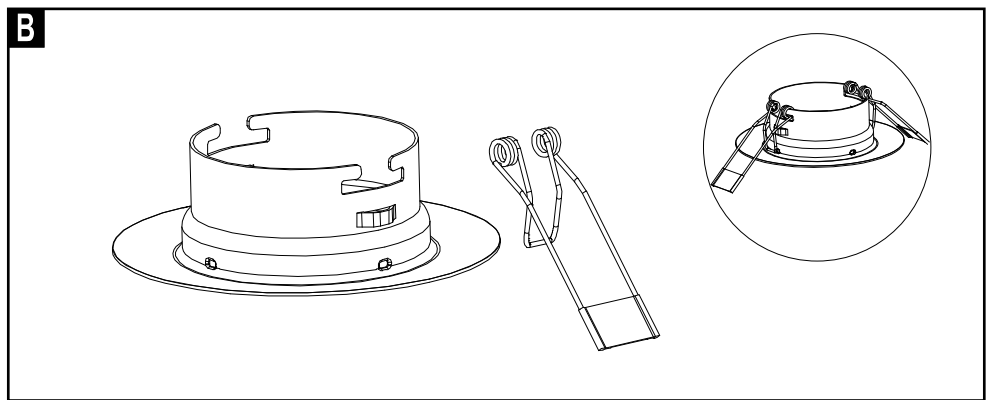
www.paulmann.com

Art.-Nr.: 93655 93656 93657 93658 93659 93660 (+MA326) PSPU 04/16 CE	93655 93656 93657	93658 93659 93660



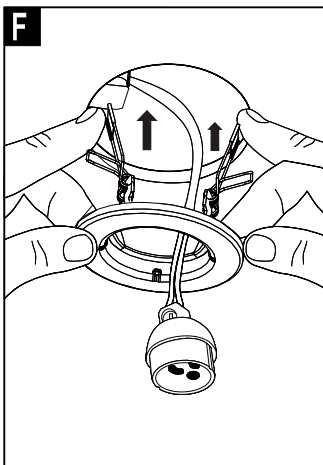
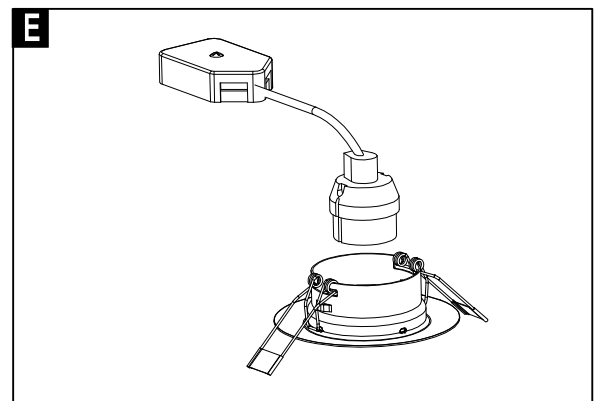
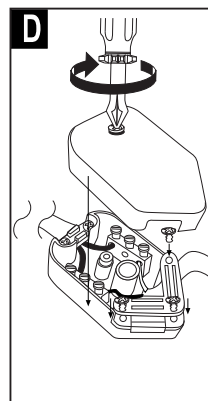
A

Safety Instructions Nr. 4,5,7 off



C

Safety Instructions Nr. 5,6 off



G

Safety Instructions
Nr. 3,5,19 off

