

Safety Instructions

1, 2, 3, 4, 5, 6, 7, 8, 9, 12, 13,
16, 17, 18, 19, 20, 21, 22, 24,
25, 26, 27, 28, 29, 30, 31,
32, 33, 34



Info Hotline



+49 (0) 5041 998 389

Mon.-Do. 7⁰⁰-20⁰⁰
Fr. 7⁰⁰-17⁰⁰

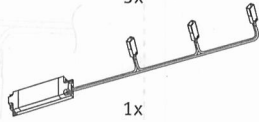
Paulmann Licht GmbH
Quezinger Feld 2
31832 Springe
Germany

www.paulmann.com

Art.-Nr.: 926.93
926.94
926.95
926.96
(+MA326) PSU 06/16



3x



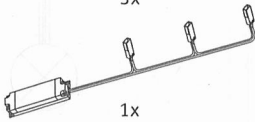
1x

926.93
926.94

926.95
926.96



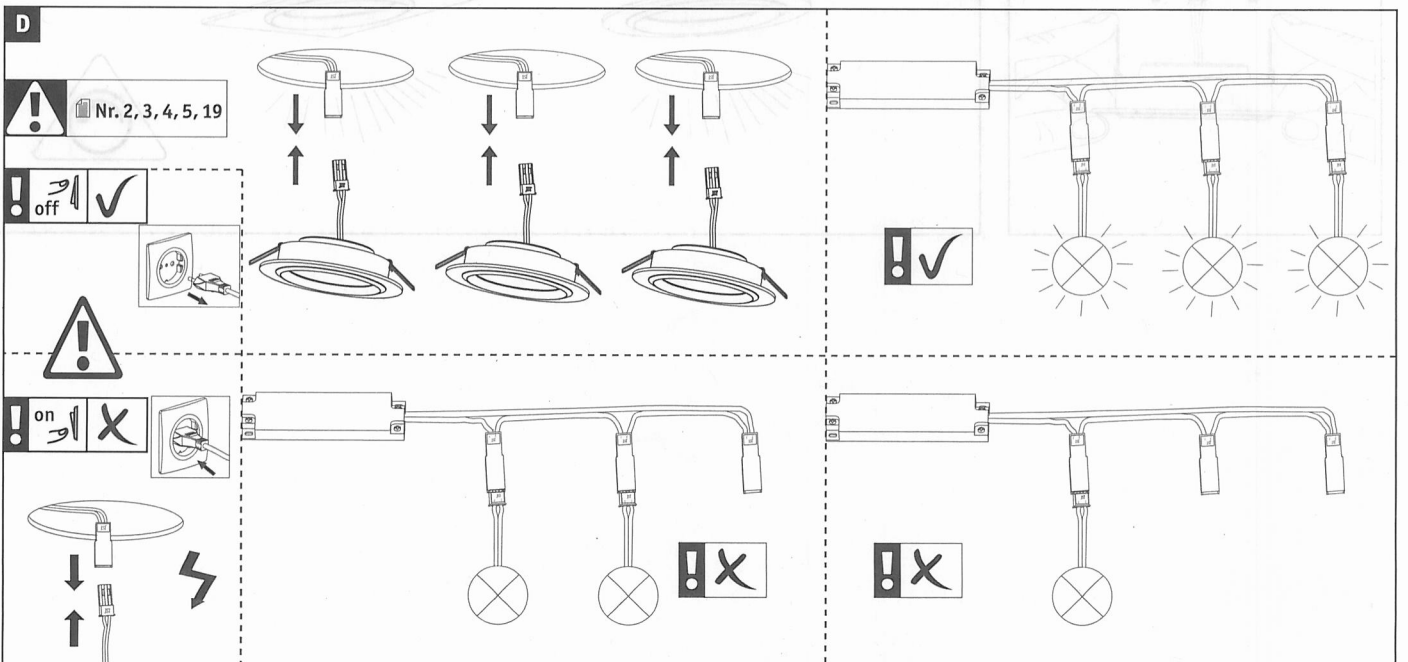
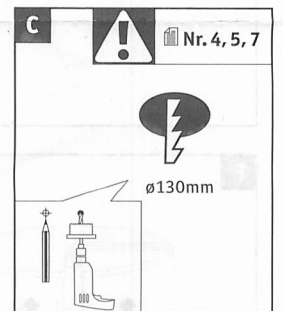
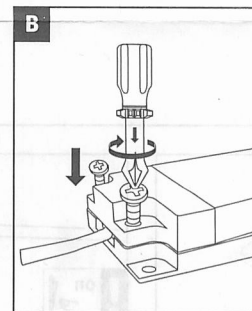
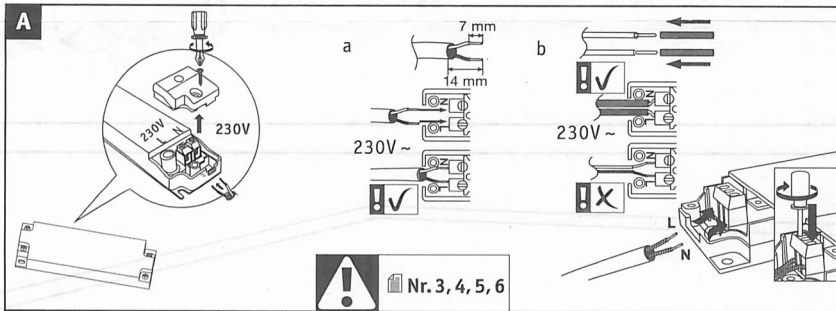
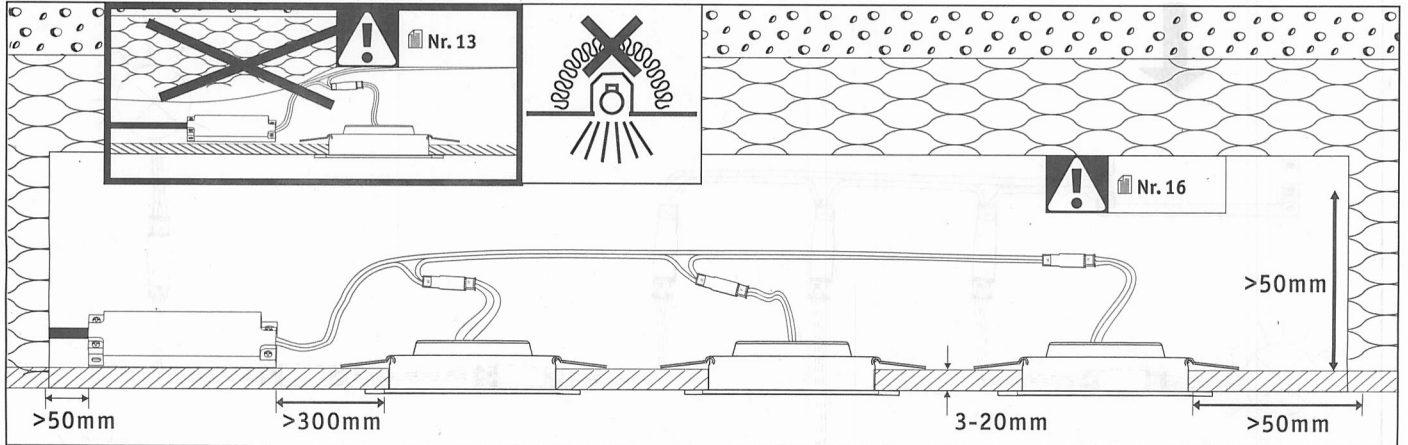
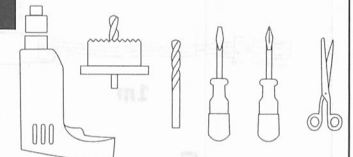
3x



1x



incl.



E

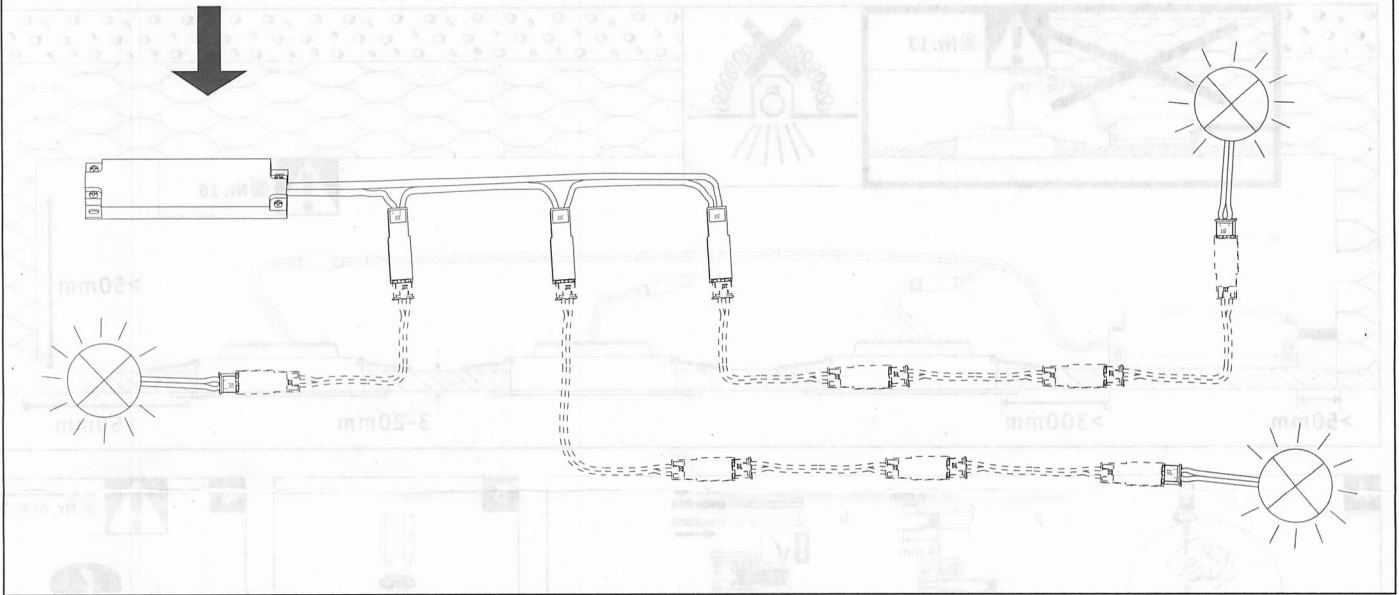
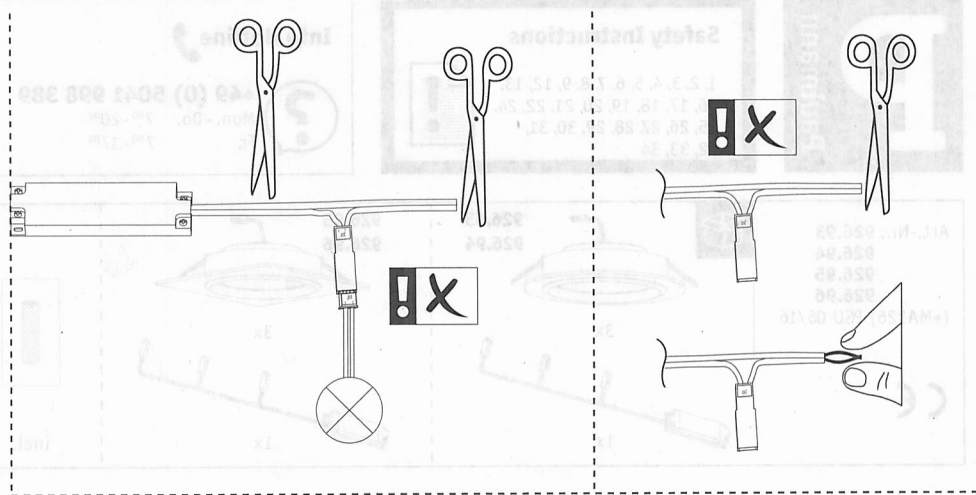
Paulmann Licht
Quersierfeld 2
11815 Spangsdorf
Germany
www.paulmann.com



1m



Paulmann
Art.-Nr.233



F

