



### Safety Instructions



0,1,2,3,4,5a,5b,6,7,8,9,  
11,15,20,22,26,27



Info Hotline **+49 (0) 5041 998 389**

Mon. - Do. 7<sup>00</sup> - 20<sup>00</sup>

Fr. 7<sup>00</sup> - 17<sup>00</sup>




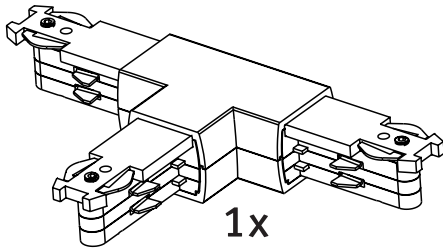
**Paulmann Licht GmbH**  
Quezinger Feld 2  
31832 Springe / Germany

Art.-Nr.:

**951.43**

(+MA 173)

PH 04/13 

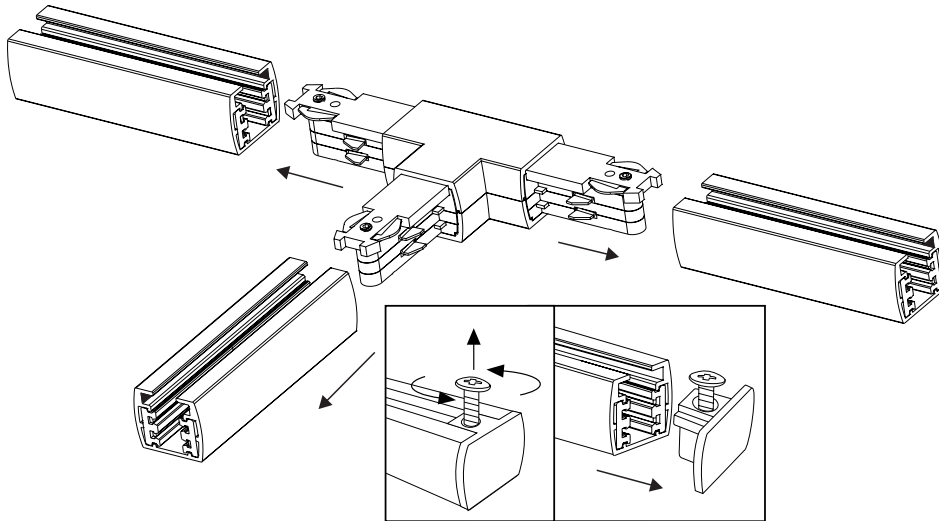


1x

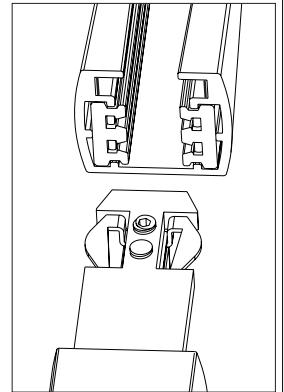


1x

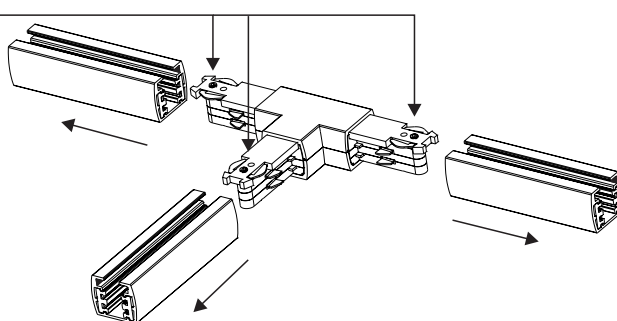
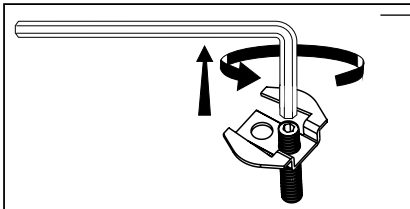
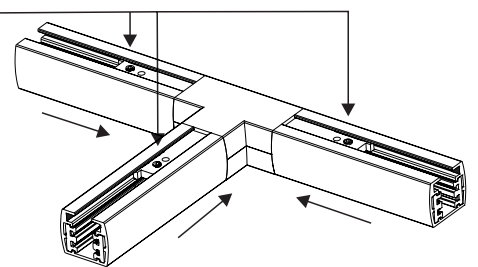
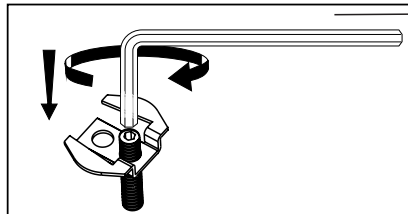
**A**



 **Safety Instructions**  
**Nr. 0,1,2,4**



**B**



 **Safety Instructions**  
**Nr. 0,1,2,4**

