



Paulmann

### Safety Instructions

1, 12, 14, 17, 23, 25, 26, 33, 34



31.08.2021

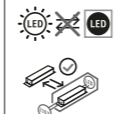


A++ - A

01.09.2021



G



www.paulmann.com/symbols

Paulmann Licht GmbH  
Quezinger Feld 2  
31832 Springe  
Germany



www.paulmann.com

Art.-Nr.: 705.31  
705.32  
705.33

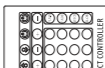
(+MA 326) PPN 09/22



705.31\_705.32



1x

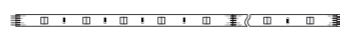


1x



Li-Ion

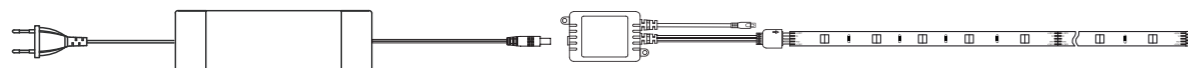
705.33



1x

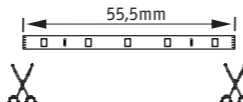


A

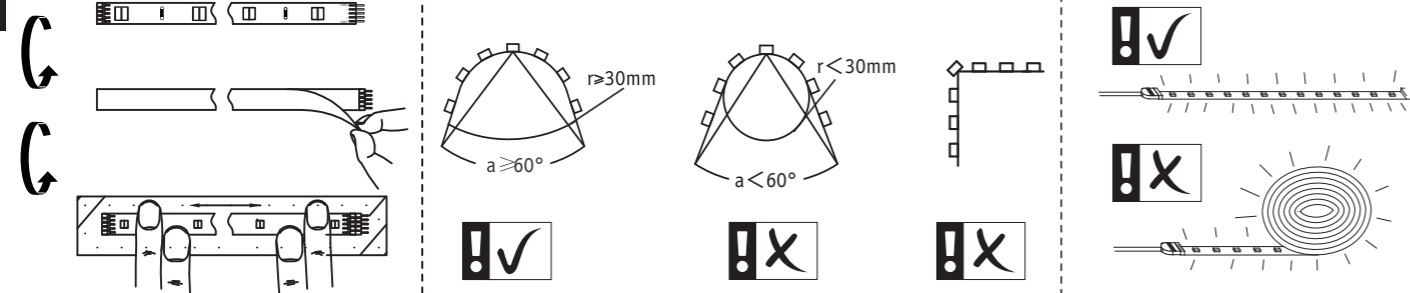


705.31 Driver: 40VA  
705.32 Driver: 60VA

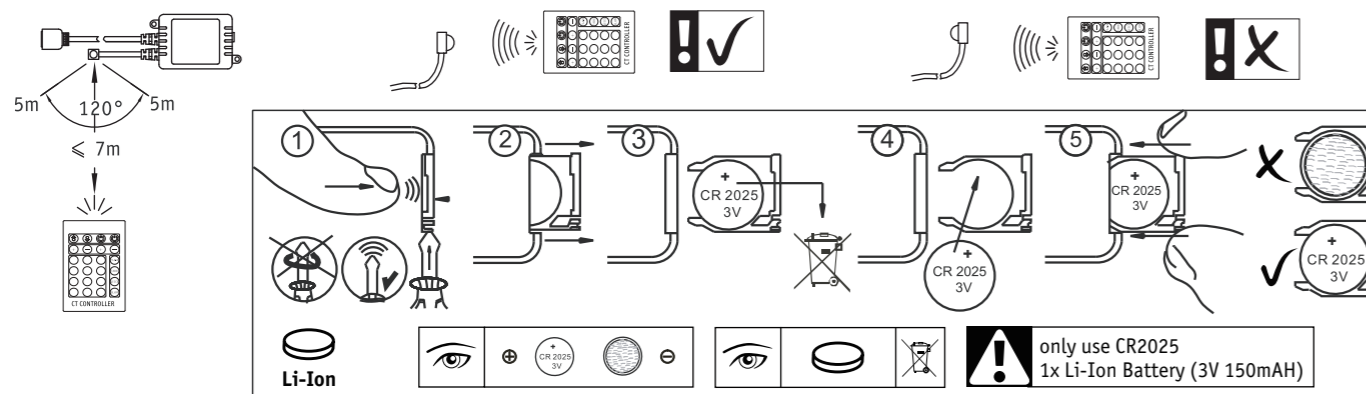
705.31: 1,5m  
705.32: 3m  
705.33: 2,5m



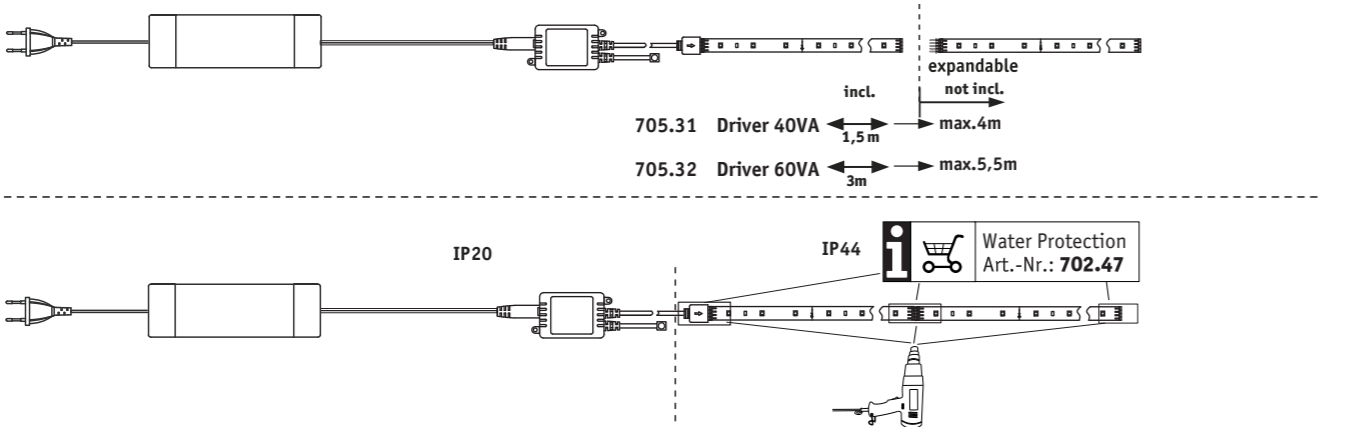
B



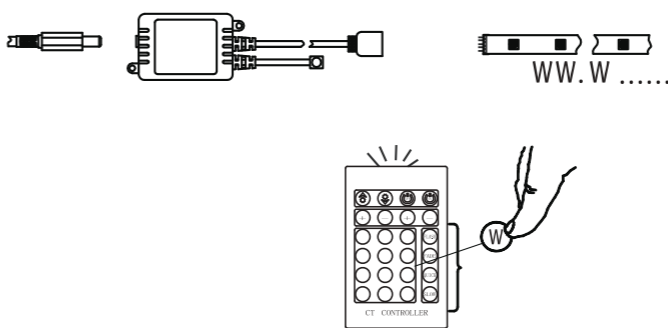
C



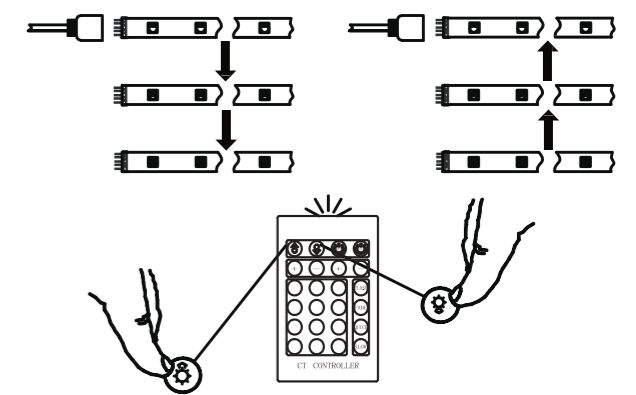
D



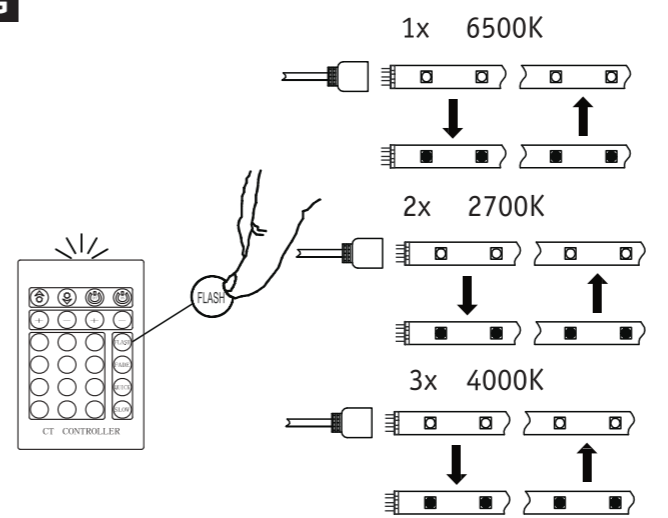
E



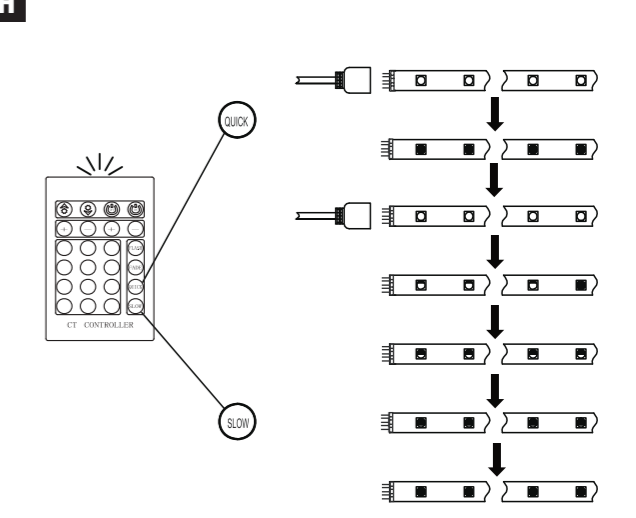
F



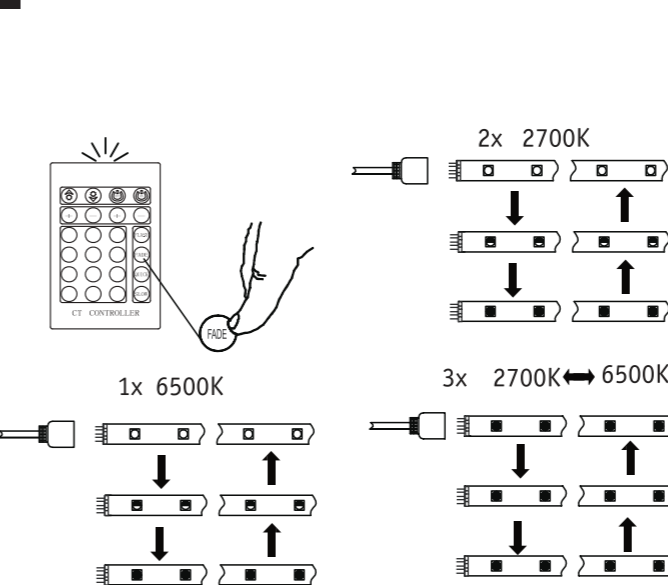
G



H



I



J

