



Safety Instructions



0, 1, 2, 4, 6, 7, 9, 11,
15, 18, 25, 26, 27



Info Hotline +49 (0) 5041 998 389

Mon. - Do. 7⁰⁰ - 20⁰⁰
Fr. 7⁰⁰ - 17⁰⁰

Paulmann Licht GmbH
31832 Springe / Germany
www.paulmann.com

Art.-Nr.:

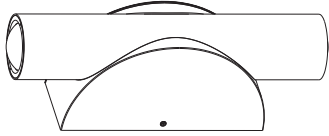
937.79
180.04

(+MA 173)

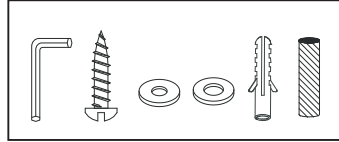
PKE 01/16



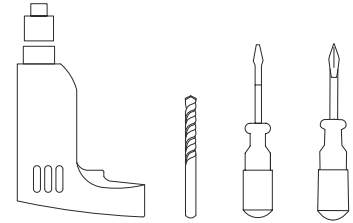
937.79 180.04
2x1W 2x3.2W



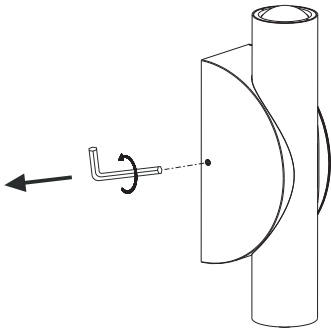
1x



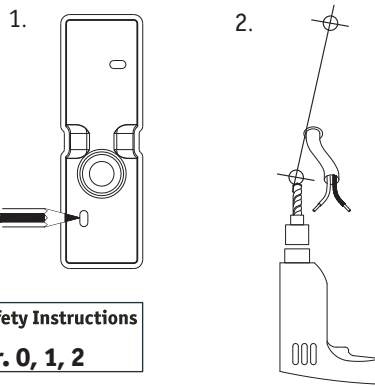
incl.



A

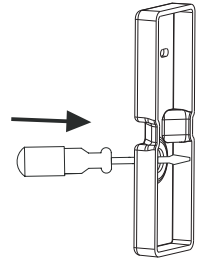


B

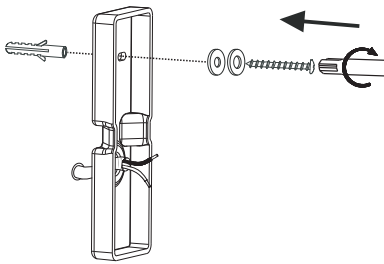


Safety Instructions
Nr. 0, 1, 2

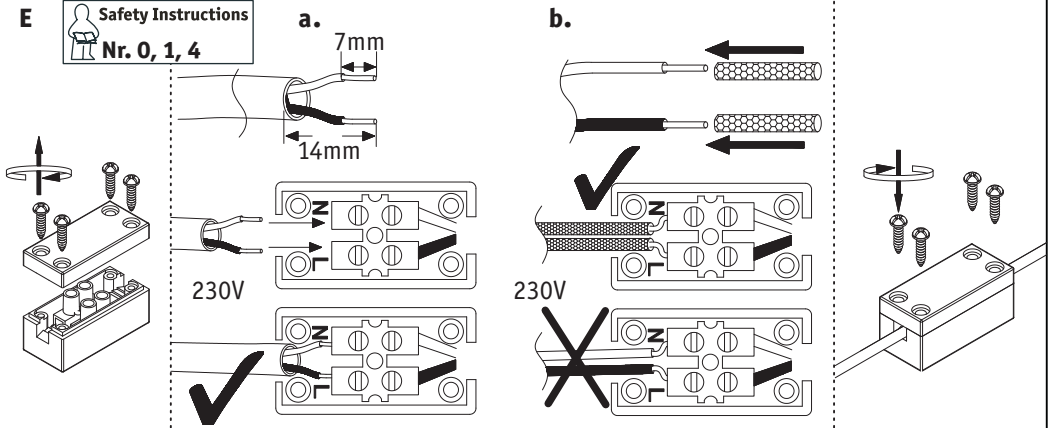
C



D

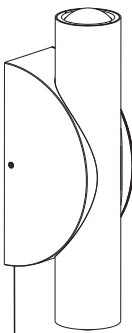
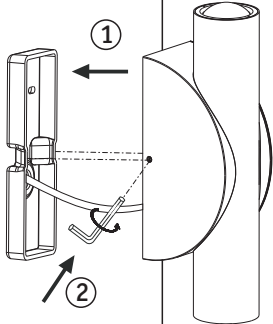


E



Safety Instructions
Nr. 0, 1, 4

F



A, B, C, D, E, F

