
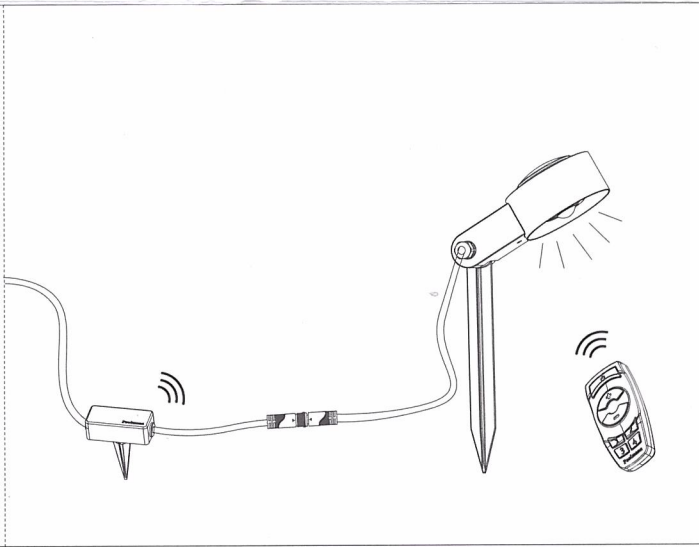
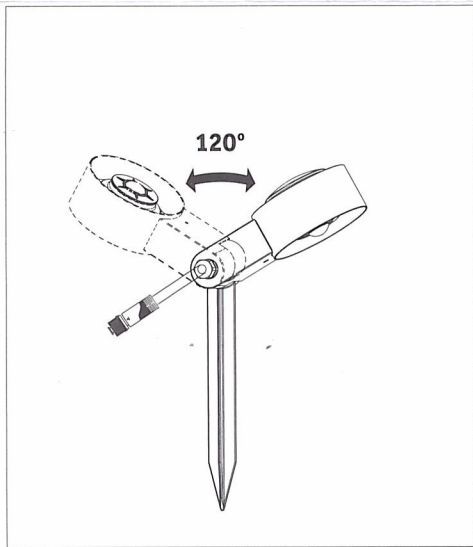
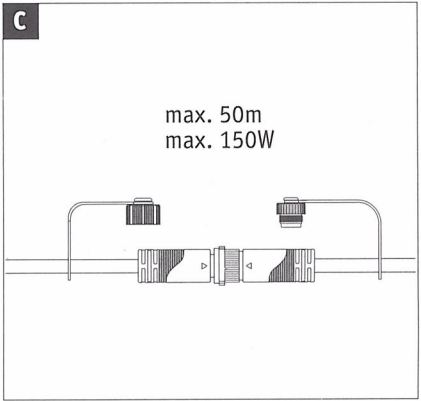
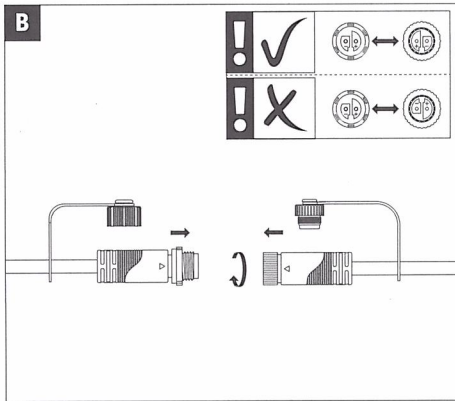
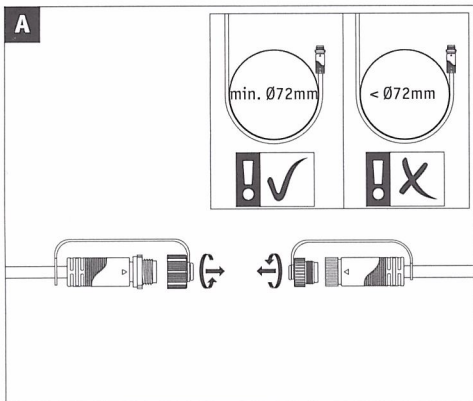
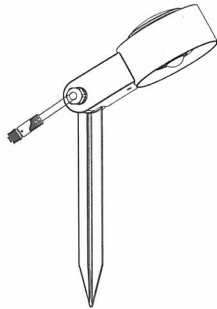




Art.-Nr.: 939.23
939.24
(+MA 326) PH03/18




CE

Control Box



Remote Control

not incl.
 Paulmann
 Art.-Nr. 180.11

