



Paulmann

Safety Instructions

1, 2, 3, 4, 5, 6, 7, 8, 12, 14, 16,
17, 18, 19, 20, 24, 28, 33, 34



31.08.2021

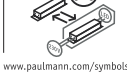


A++ - A

01.09.2021



E



www.paulmann.com/symbols

Paulmann Licht GmbH
Quezinger Feld 2
31832 Springe
Germany



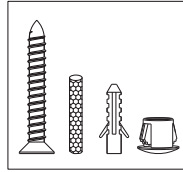
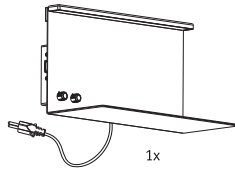
www.paulmann.com

Art.-Nr.: 967.72
967.73

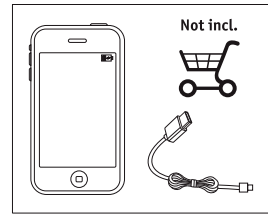


Art.-Nr.: 967.72/967.73

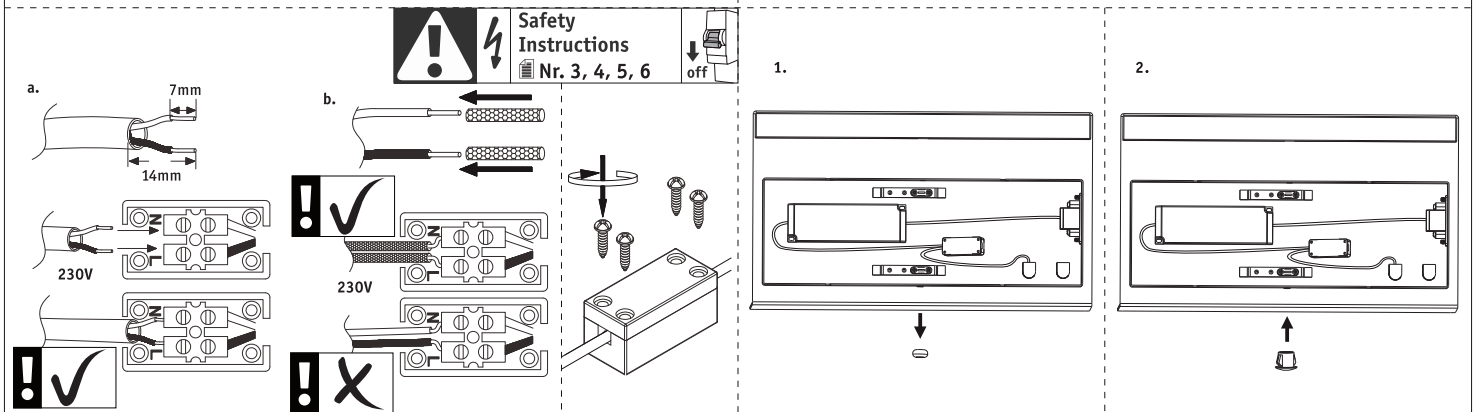
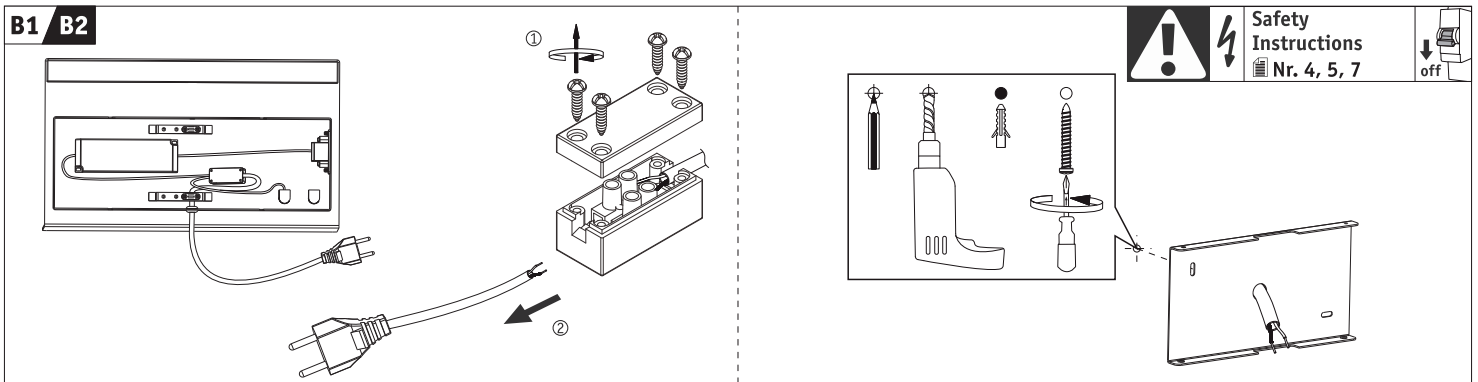
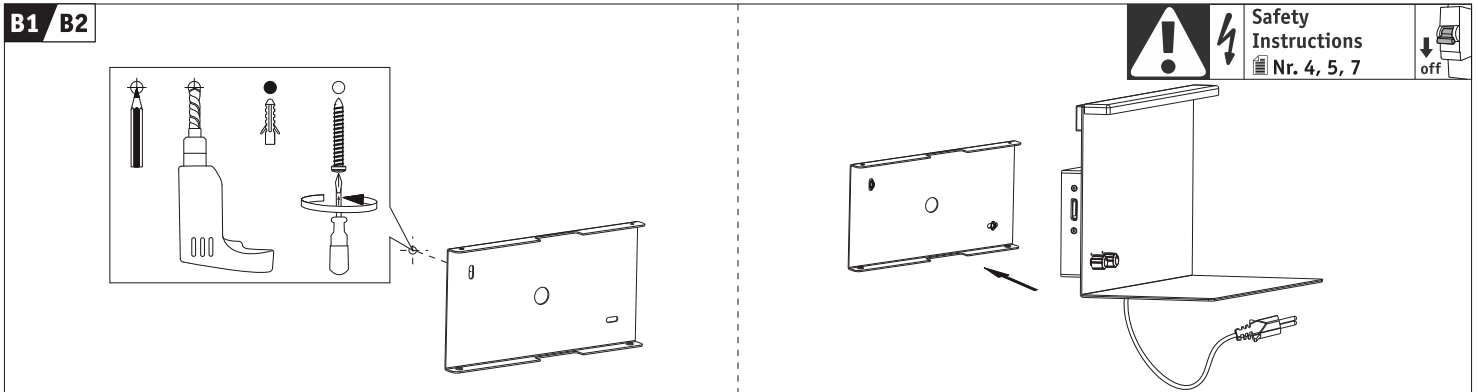
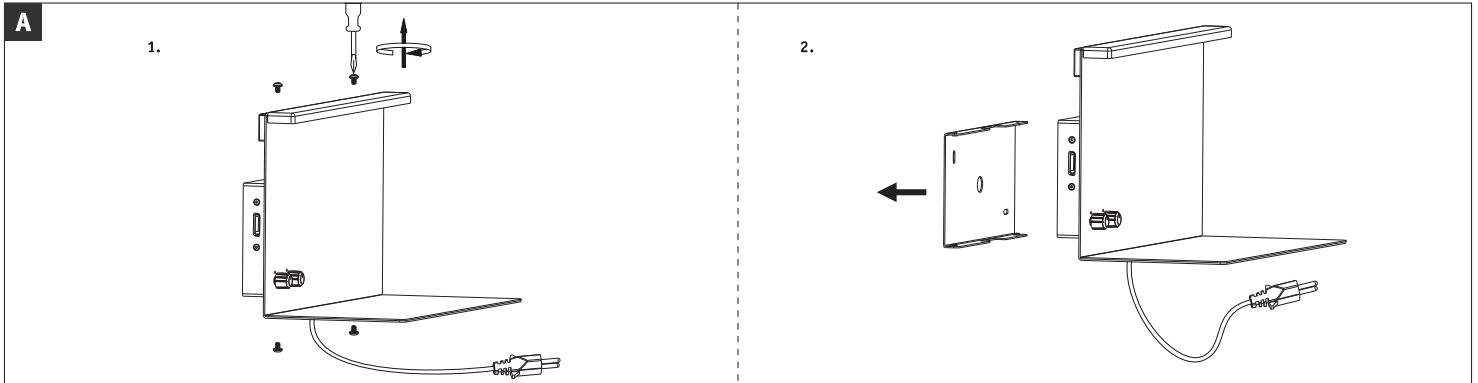
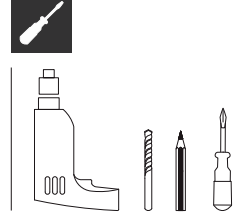
(+MA 0326)PKE 10/22



incl.

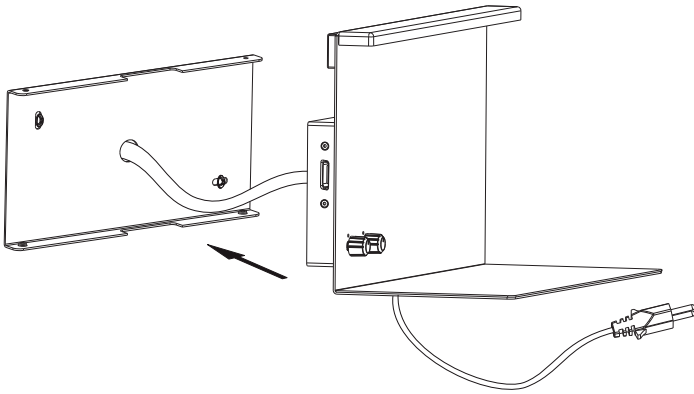


Not incl.

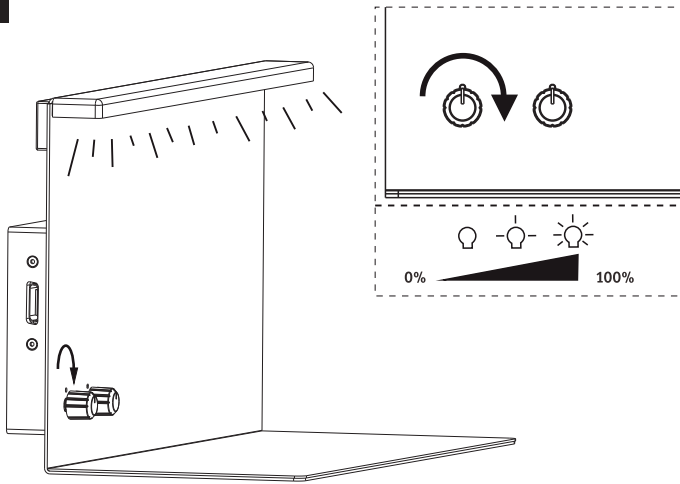


C

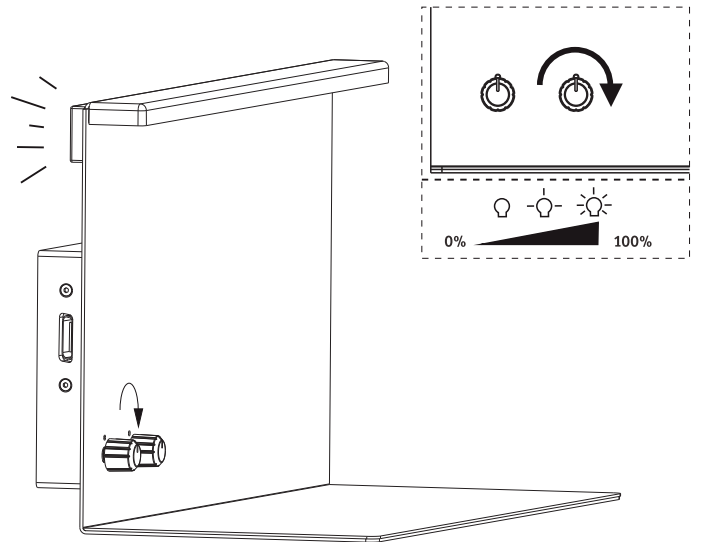
1.



2.

**D**

Art.-Nr.: 789.19

**E**