



Paulmann

### Safety Instructions

1, 2, 3, 4, 5, 6, 8, 11, 12, 15, 16, 17, 18, 19  
20, 21, 22, 24, 29, 30, 31, 32, 33, 34



Info

[www.paulmann.com](http://www.paulmann.com)

Paulmann Licht GmbH  
Quezinger Feld 2  
31832 Springe  
Germany

[www.paulmann.com](http://www.paulmann.com)

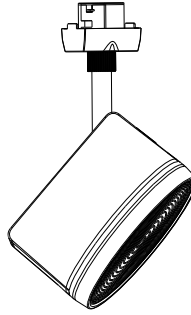
Art.-Nr.: 954.49



(+MA326) PSU 02/18



1x



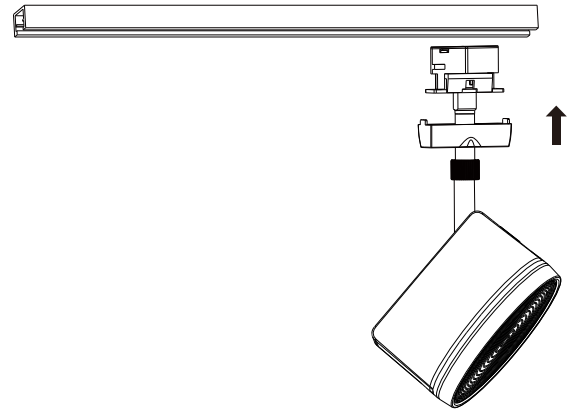
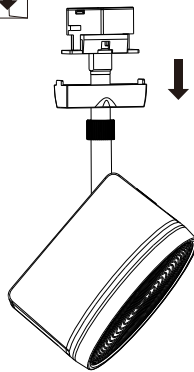
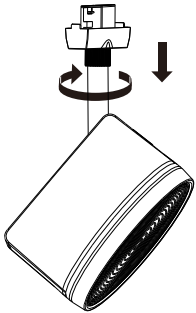
A



Safety  
Instructions  
Nr. 1, 4, 5



off



B

