



Safety Instructions

1,2,3,4,5,6,7,8,12,13,19,24,
29,31,32,33,34,



31.08.2021

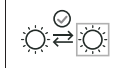


A++ - A

01.09.2021



G



www.paulmann.com/symbols

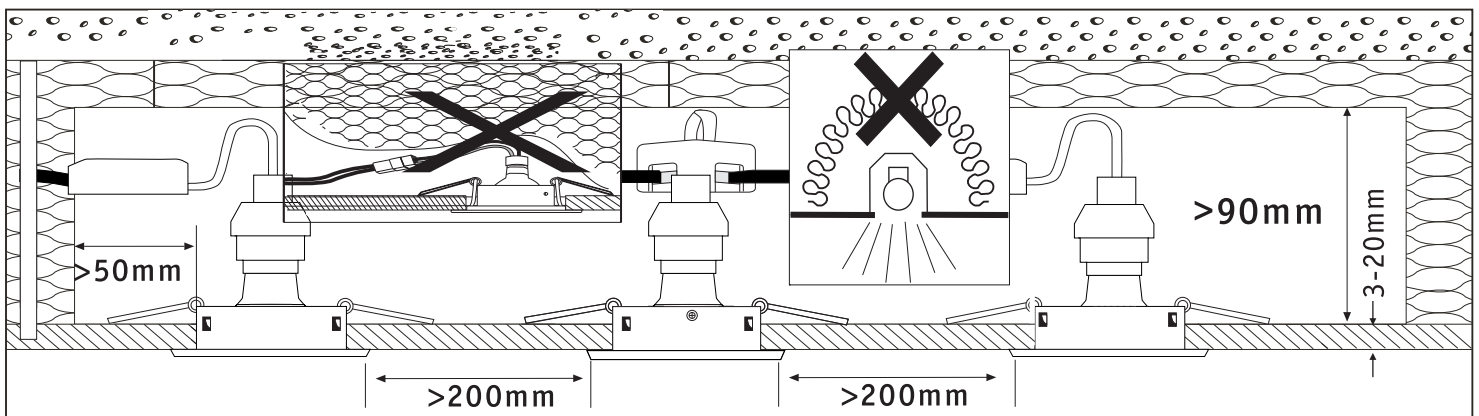
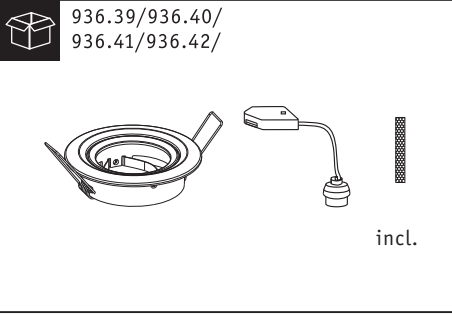
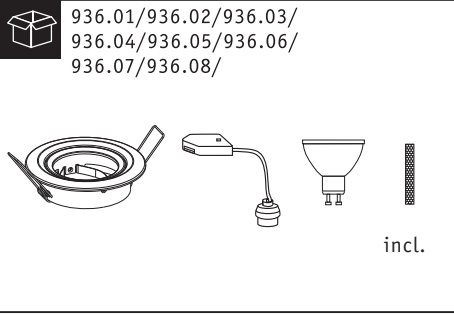
Paulmann Licht GmbH
Quezinger Feld 2
31832 Springe
Germany



Art.-Nr.: 936.01/936.02/
936.03/936.04/
936.05/936.06/
936.07/936.08/
936.39/936.40/
936.41/936.42/

(+MA326)PBO 07/22

CE UK CA



A **Safety Instructions**
Nr. 5, 7

68mm
www.paulmann.com

(Ø 68mm)

off

B **Nr. 4, 5**

1

230V

2

230V

3

C

D

E

F

