

Safety Instructions

1, 2, 3, 4, 5, 6, 7, 8, 11, 12,
16, 17, 18, 19, 20, 21, 22,
24, 26, 33, 34



Info Hotline



+49 (0) 5041 998 389

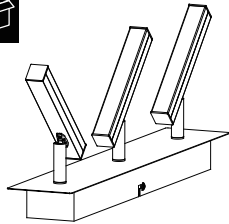
Mon. - Do. 7⁰⁰ - 20⁰⁰

Fr. 7⁰⁰ - 17⁰⁰

Paulmann Licht GmbH
Quezinger Feld 2
31832 Springe
Germany

www.paulmann.com

Art.-Nr. : 666.56
(+MA 326) PEA 06/16



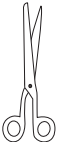
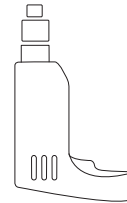
1X



2X



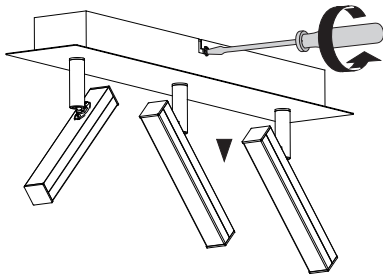
2X



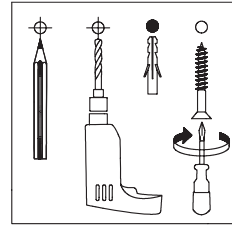
A



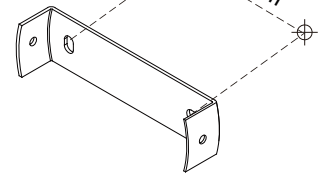
Safety Instructions
Nr. 4,5,6,7,8,12,19



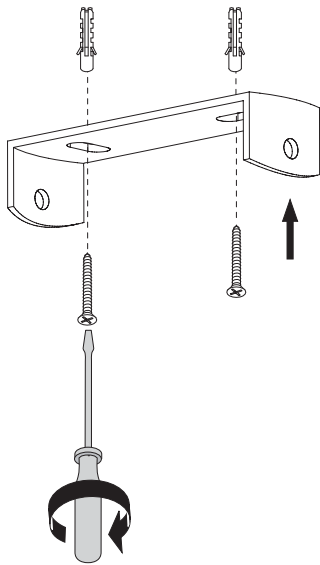
B



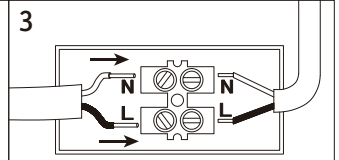
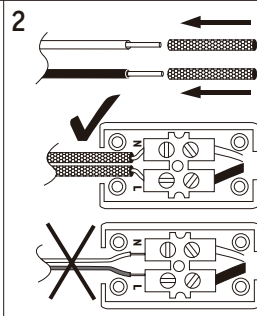
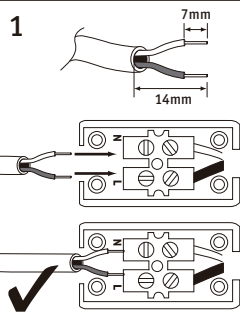
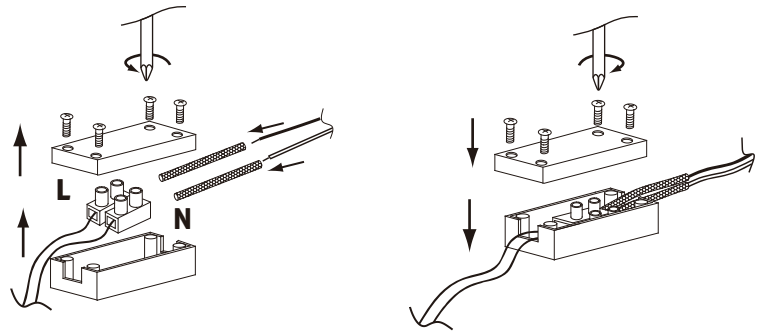
38mm



C



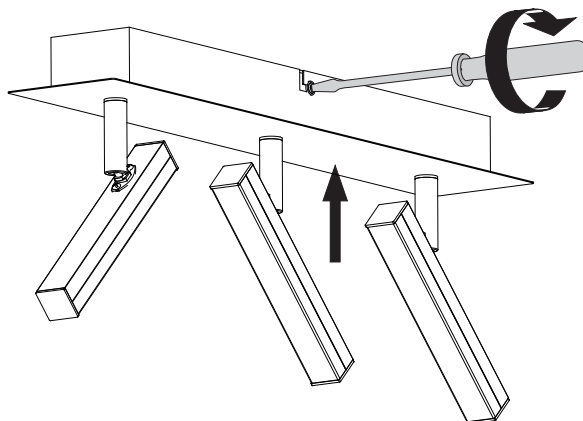
D



Safety Instructions
Nr. 3,11,28



E



Safety Instructions
Nr. 17,18,20

