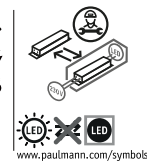
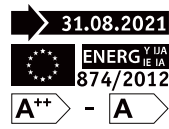




Paulmann

Safety Instructions

1,2,3,4,5,6,7,10,12,15,
16,28,33,34



Paulmann Licht GmbH
Quezinger Feld 2
31832 Springe
Germany

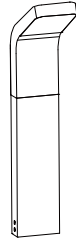


www.paulmann.com

Art.-Nr.: **947.46**
(+MA 326) PSH 07/22



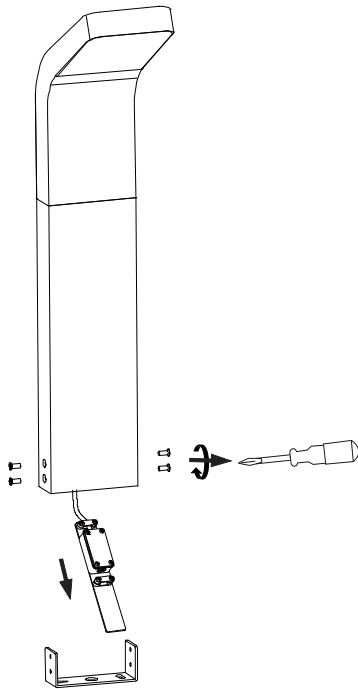
i IP44



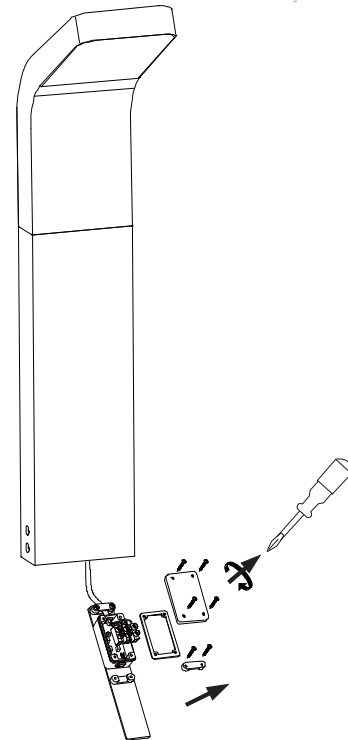
Incl.



A



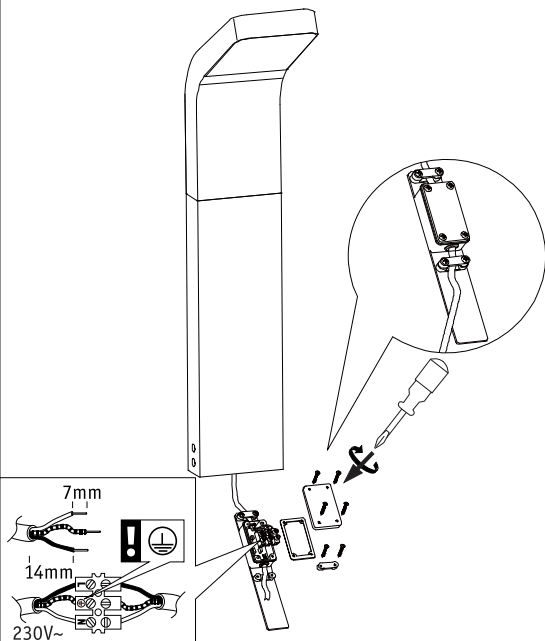
B



C



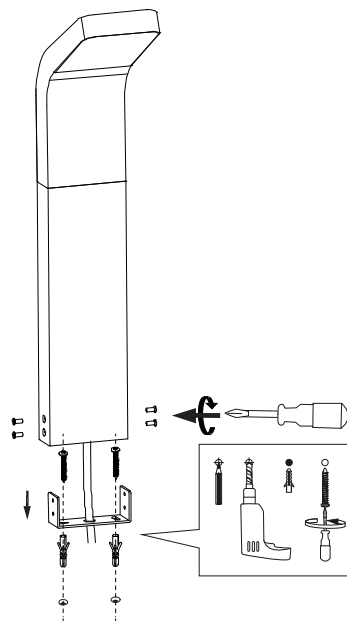
Safety Instructions
Nr. 3, 4, 5, 6



D



Safety Instructions
Nr. 4, 5, 7



E

