

Safety Instructions

1,2,3,4,5,6,7,8,12,13,19,
28,33,34,...



Info Hotline



+49 (0) 5041 998 389

Mon. - Do. 7⁰⁰ - 20⁰⁰

Fr. 7⁰⁰ - 17⁰⁰

Paulmann Licht GmbH
Quezinger Feld 2
31832 Springe
Germany

www.paulmann.com

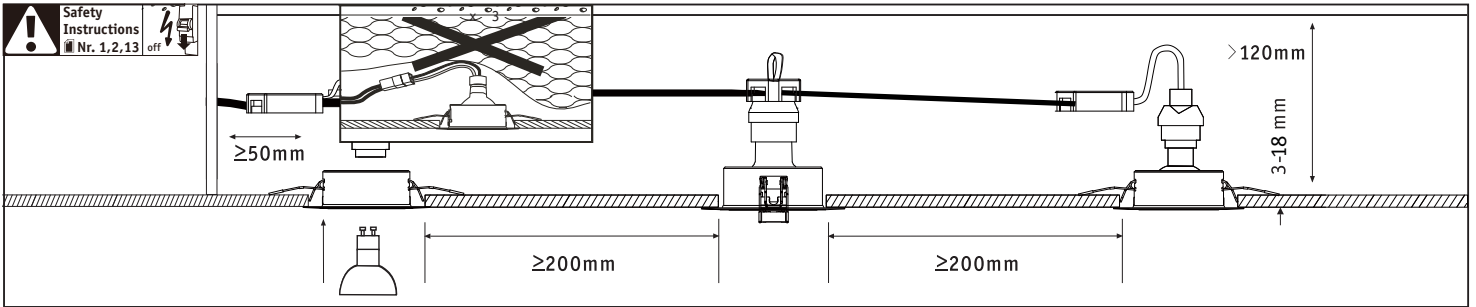
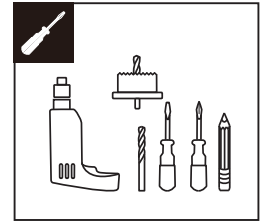
Art.-Nr.: 93845
93846
93847
93848
93849
93850
(+MA326) PSPU 04/16
CE

93845
93846
93847

3X 6X 3X 3X 1X 6x

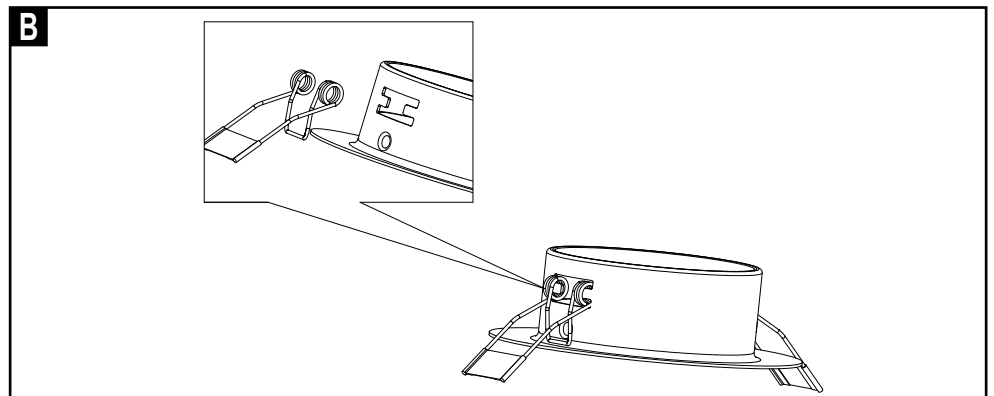
93848
93849
93850

1X 2X 1X 1X 1X 2x



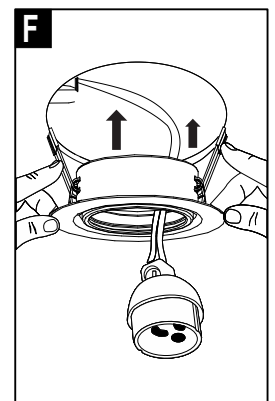
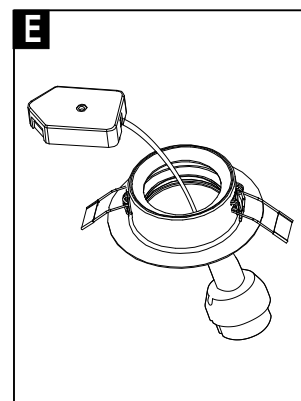
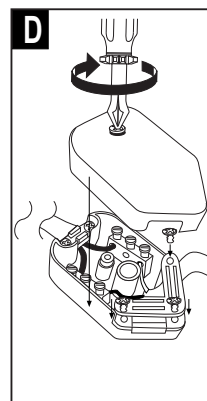
A Safety Instructions Nr. 4,5,7 off

(Ø 73 mm)



C Safety Instructions Nr. 5,6 off

1 230V 7mm 14mm 2 230V



G

Safety Instructions Nr. 3,5,19 off

