



Safety Instructions

1, 2, 3, 4, 5, 6, 7, 9, 10, 11, 12, 13, 14, 17, 18, 19, 20, 21, 25, 26, 29, 32, 33, 34



Info

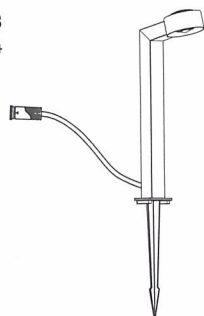
www.paulmann.com

Paulmann Licht GmbH
Quezinger Feld 2
31832 Springe
Germany

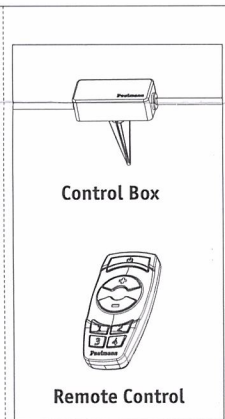
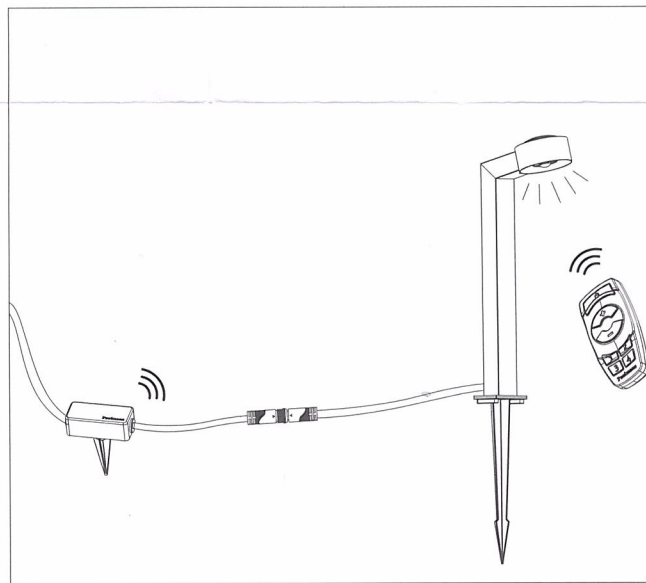
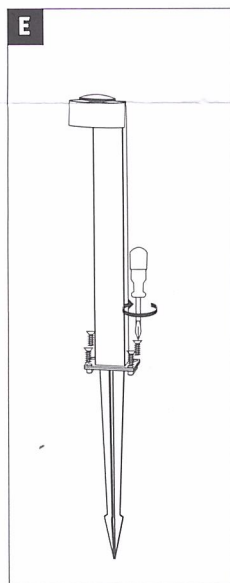
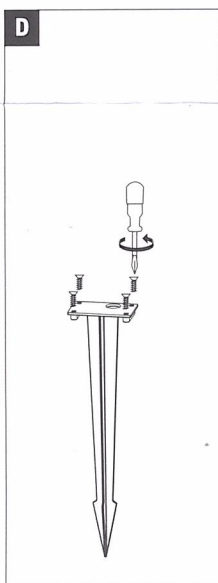
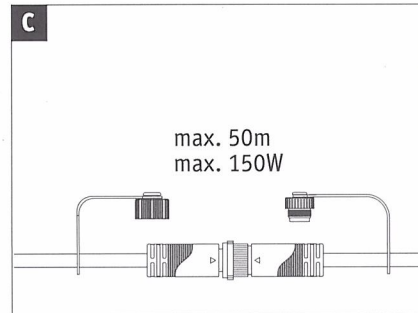
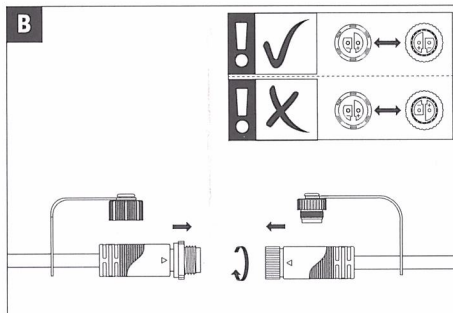
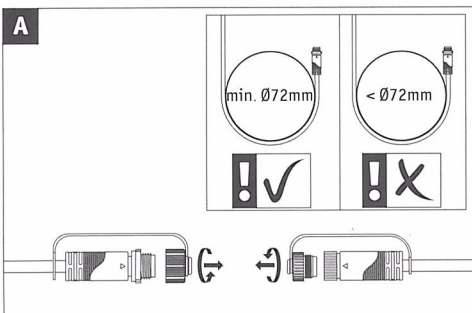
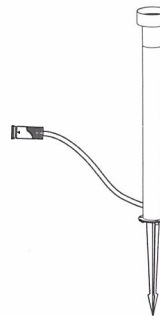
www.paulmann.com

Art.-Nr.: 939.13
939.14
939.15
(+MA 326) PH03/18

939.13
939.14



939.15



not incl.

Paulmann
Art.-Nr. 180.11

