



Paulmann

### Safety Instructions

1, 2, 3, 4, 5, 6, 7, 8, 9, 10, 11, 12, 16,  
17, 18, 19, 20, 21, 22, 24, 26, 33, 34



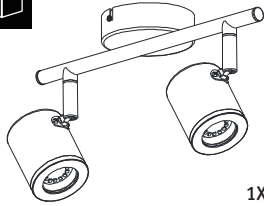
Info

[www.paulmann.com](http://www.paulmann.com)

Paulmann Licht GmbH  
Quezinger Feld 2  
31832 Springe  
Germany

[www.paulmann.com](http://www.paulmann.com)

Art.-Nr. : 666.59  
(+MA 326) PHO 05/17



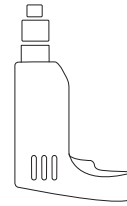
1X



2X



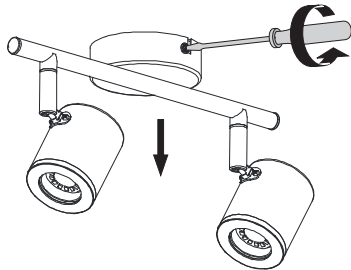
2X



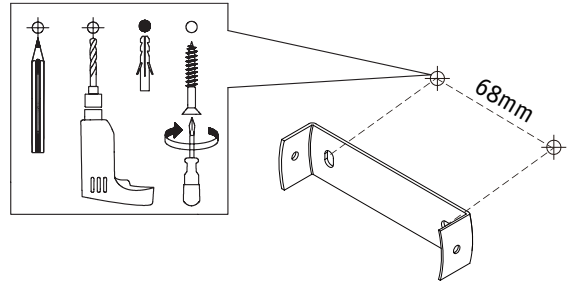
A



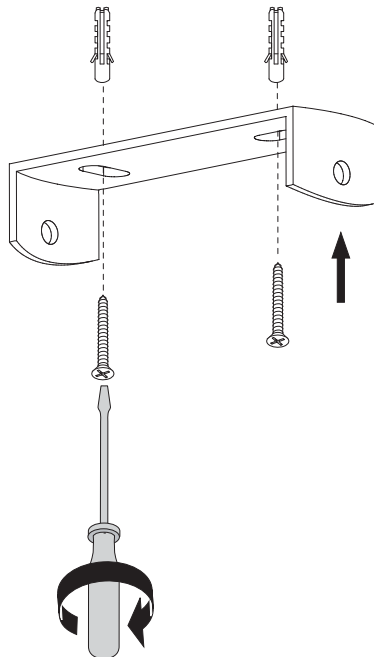
Safety  
Instructions  
Nr. 4,5,6,7,8,12,19



B



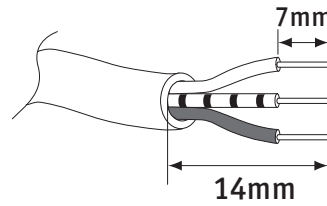
C



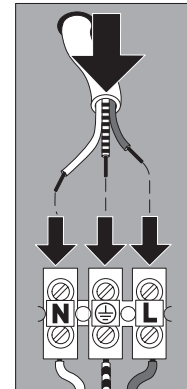
D



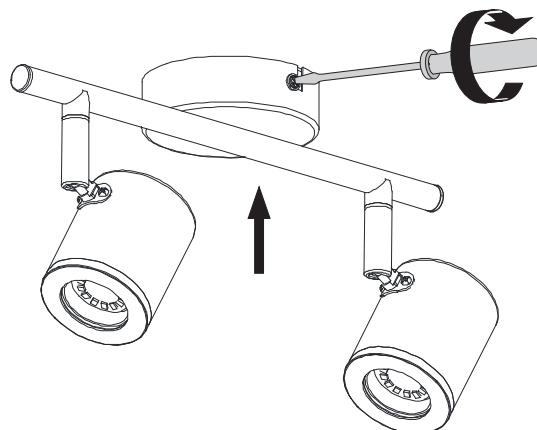
Safety  
Instructions  
Nr. 3,11,28



230V



E



Safety  
Instructions  
Nr. 17,18,20

