



Paulmann

Safety Instructions

1, 2, 3, 4, 5, 6, 7, 10, 12, 13, 15, 16,
19, 20, 21, 22, 24, 28, 33, 34



ENERGY
2019/2015

A
1
G



www.paulmann.com/symbols

Paulmann Licht GmbH
Quezinger Feld 2
31832 Springe
Germany



www.paulmann.com

Nr: 934.46/934.47

934.48/934.49

934.52/934.53

934.54/934.50

934.51/934.55

934.56/944.71

922.37/922.38

922.39/922.40

(+MA 326) PSU 03/24



934.46/934.48/922.38/922.40

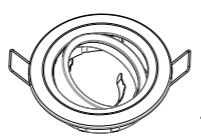


1x

1x

Incl.

934.47/934.49/934.52
944.71/922.37/922.39



3x

3x

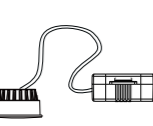
Incl.



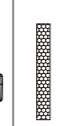
934.53



1x

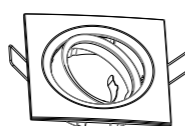


1x

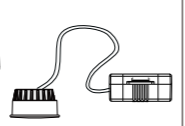


Incl.

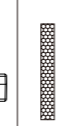
934.54



3x

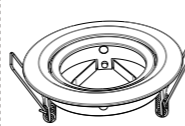


3x

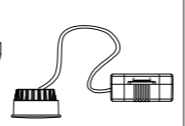


Incl.

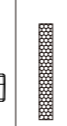
934.50



1x

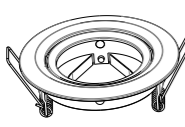


1x

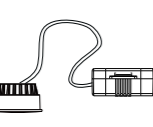


Incl.

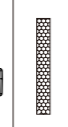
934.51



3x

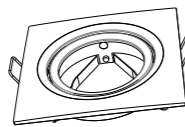


3x

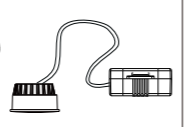


Incl.

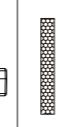
934.55



1x

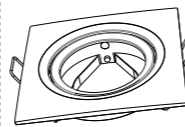


1x

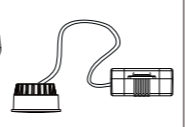


Incl.

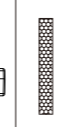
934.56



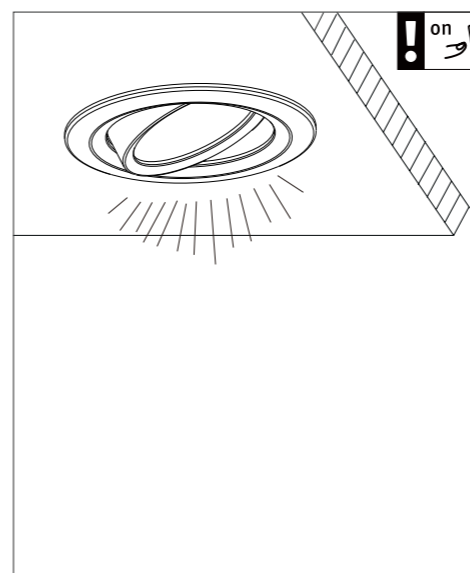
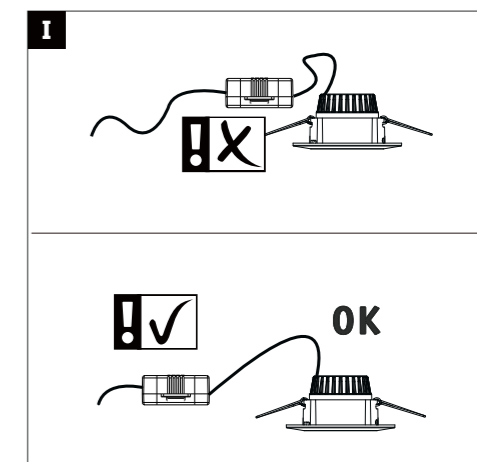
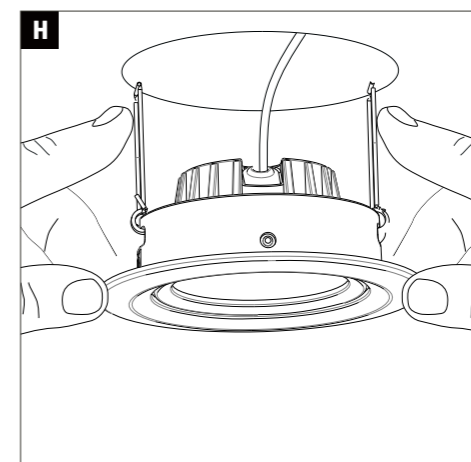
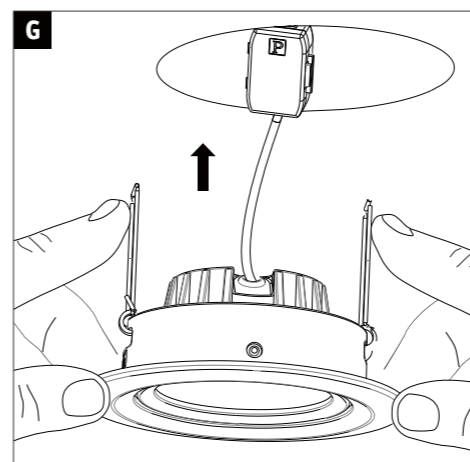
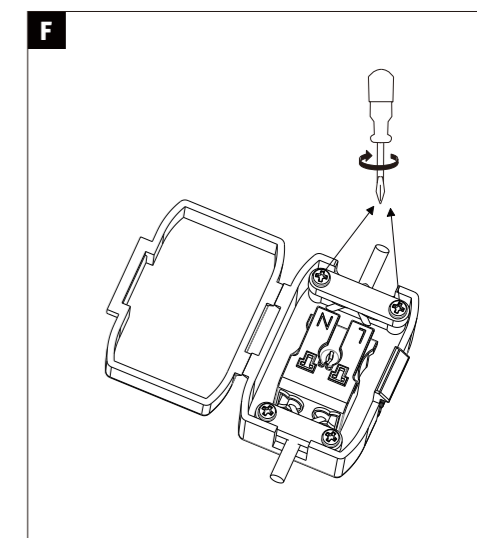
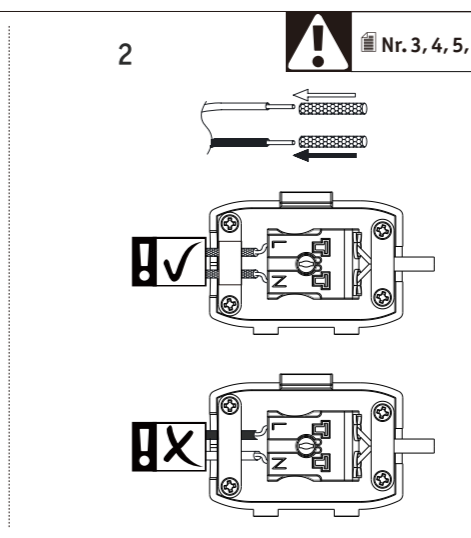
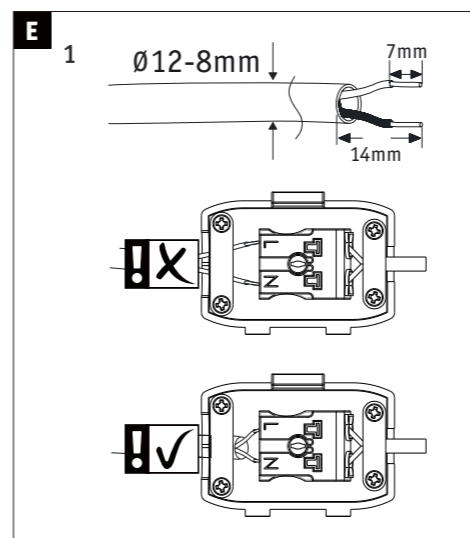
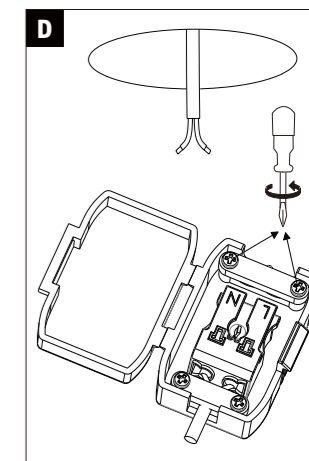
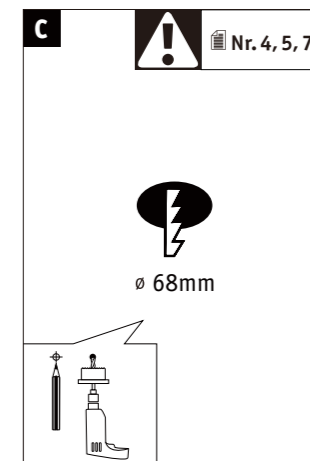
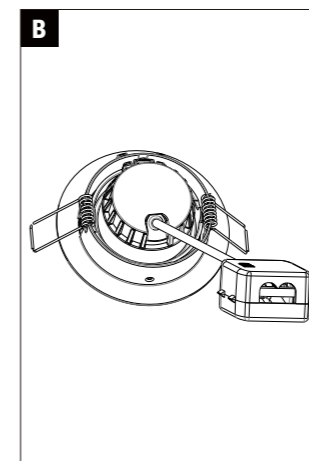
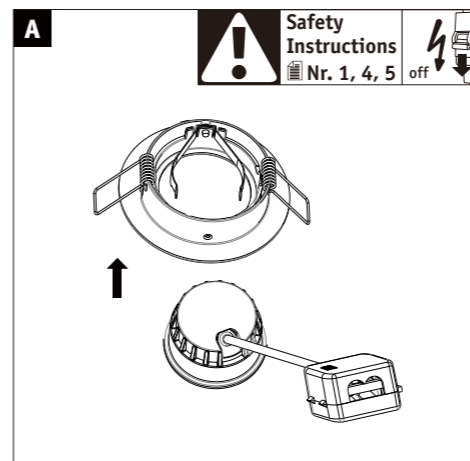
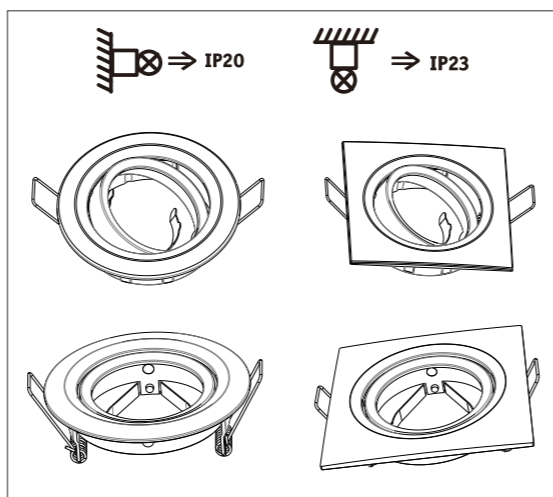
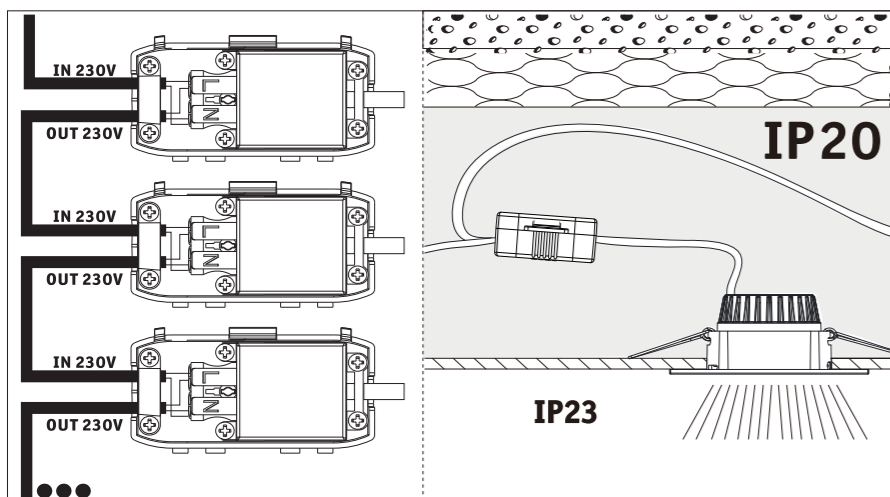
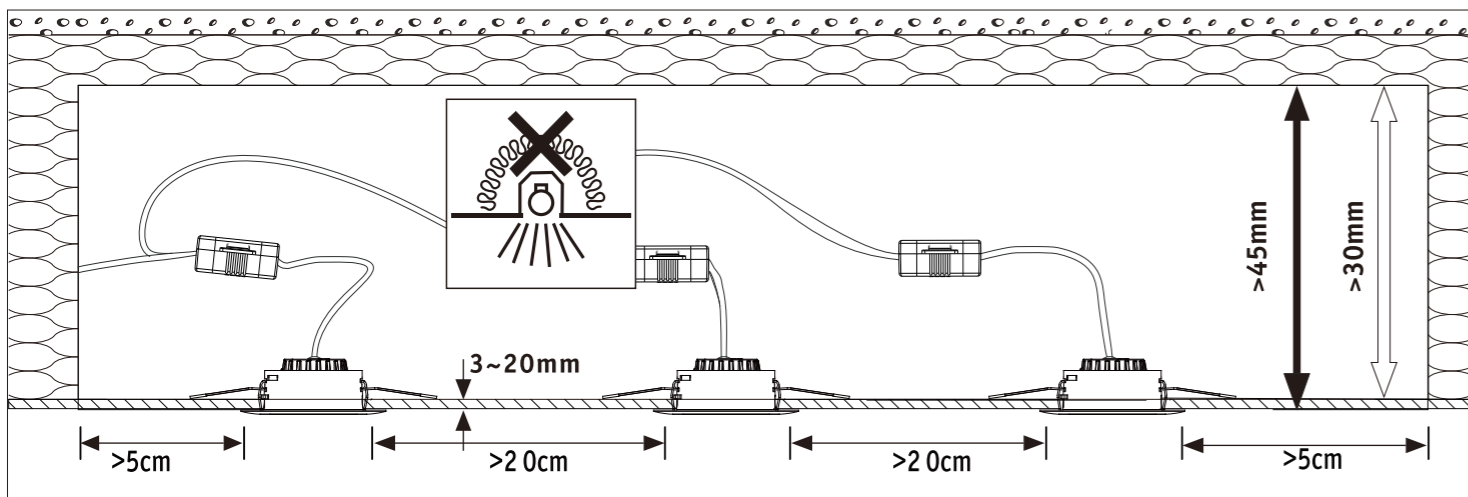
3x



3x



Incl.



ENERGY
Paulmann

470 lm
6W
230V

▼ warm white
2700K

CRI/Ra ≥ 85

ON OFF >50.000

≈ 30x 1.000h

Lumen 60% 2 s

ø 51 mm

6 kWh/1000h

2019/2015

CE UK CA

390093069

