



Safety Instructions



0, 1, 2, 4, 5b, 6, 7, 8,
15, 18, 22, 23

Info Hotline



+49 (0) 5041 998 389

Mon. - Do. 7⁰⁰ - 20⁰⁰

Fr. 7⁰⁰ - 17⁰⁰

Paulmann Licht GmbH
31832 Springe / Germany
www.paulmann.com

Art.-Nr.:

950.70

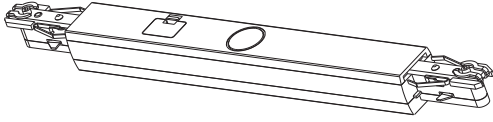
950.71

950.72

950.73

(+MA 173)
PBO 05/13

950.70
950.71
950.72

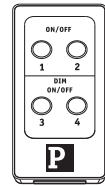


1x

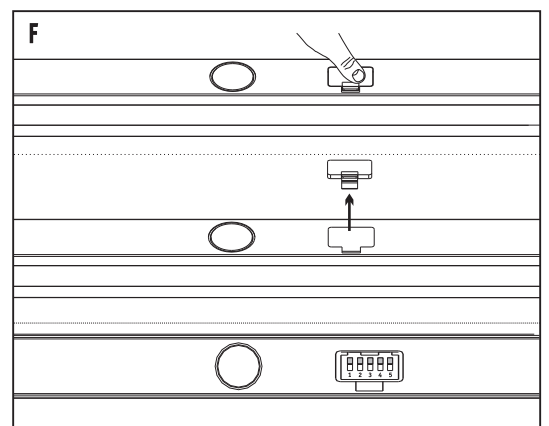
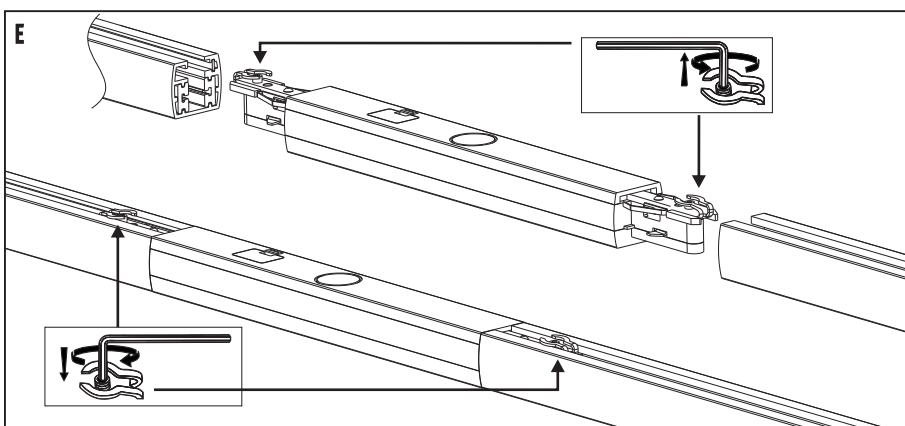
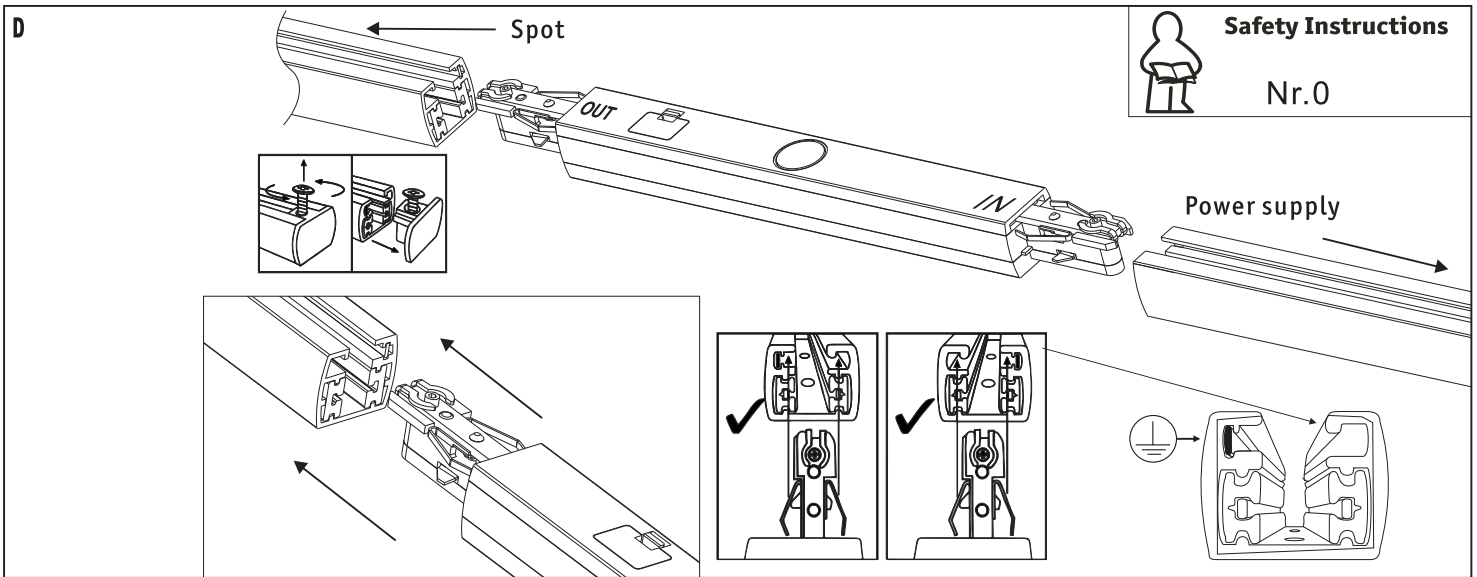
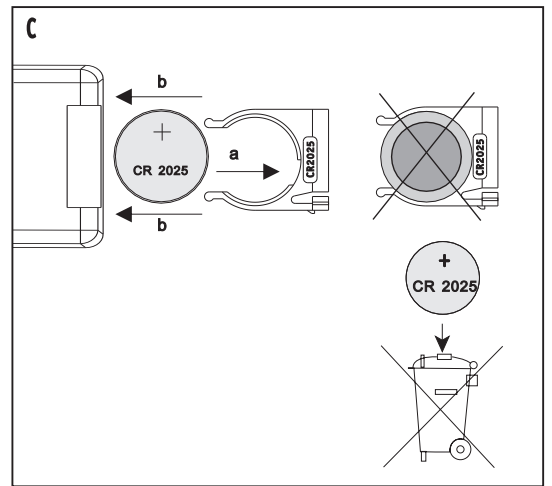
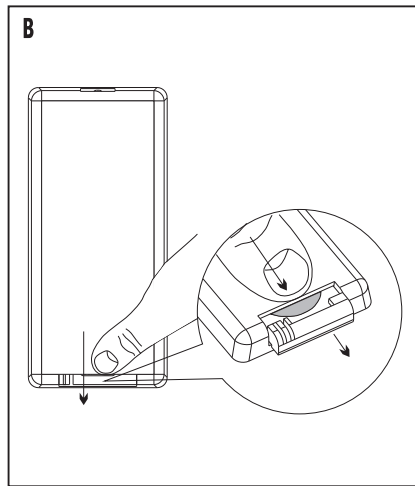
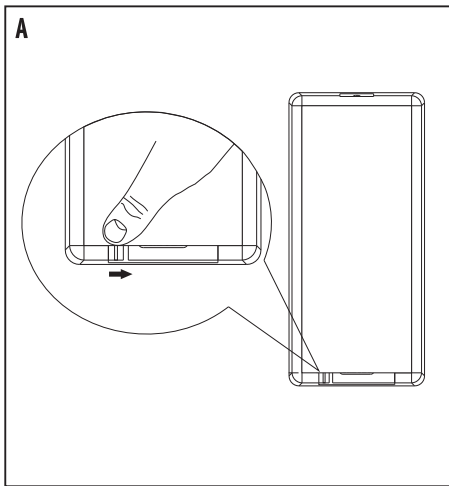


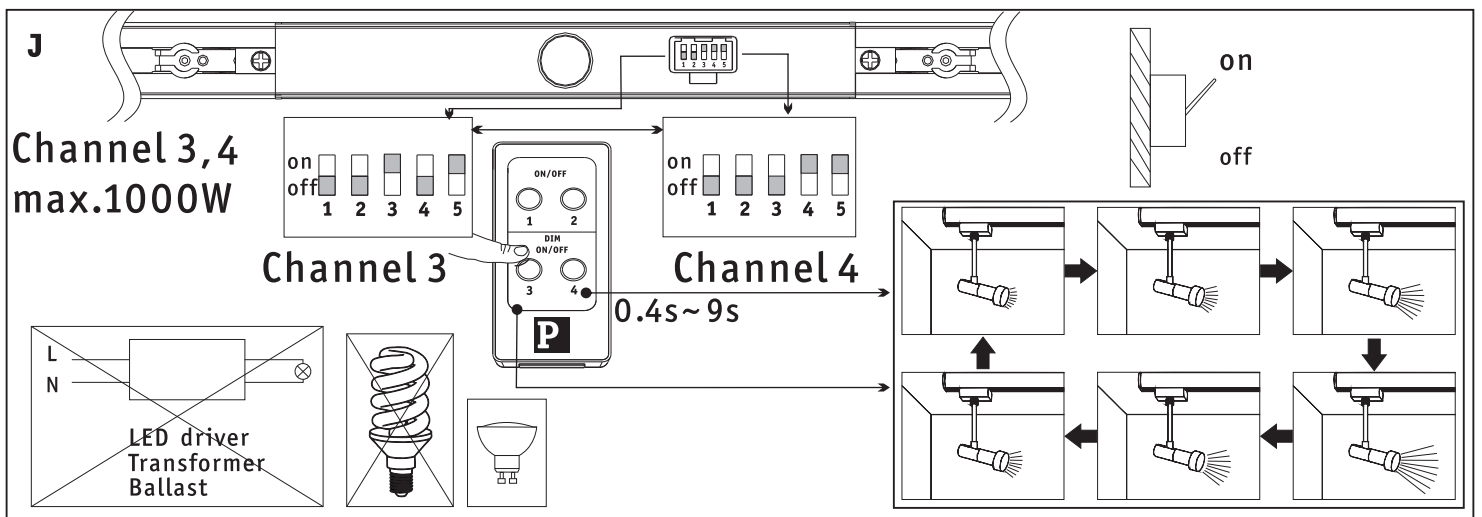
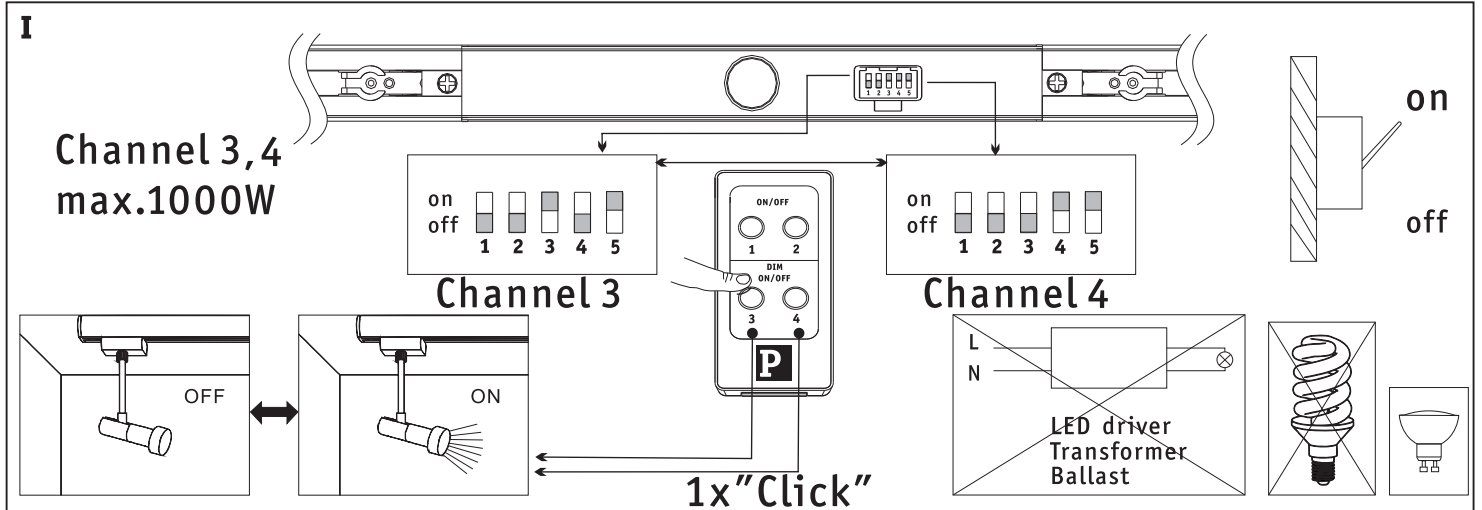
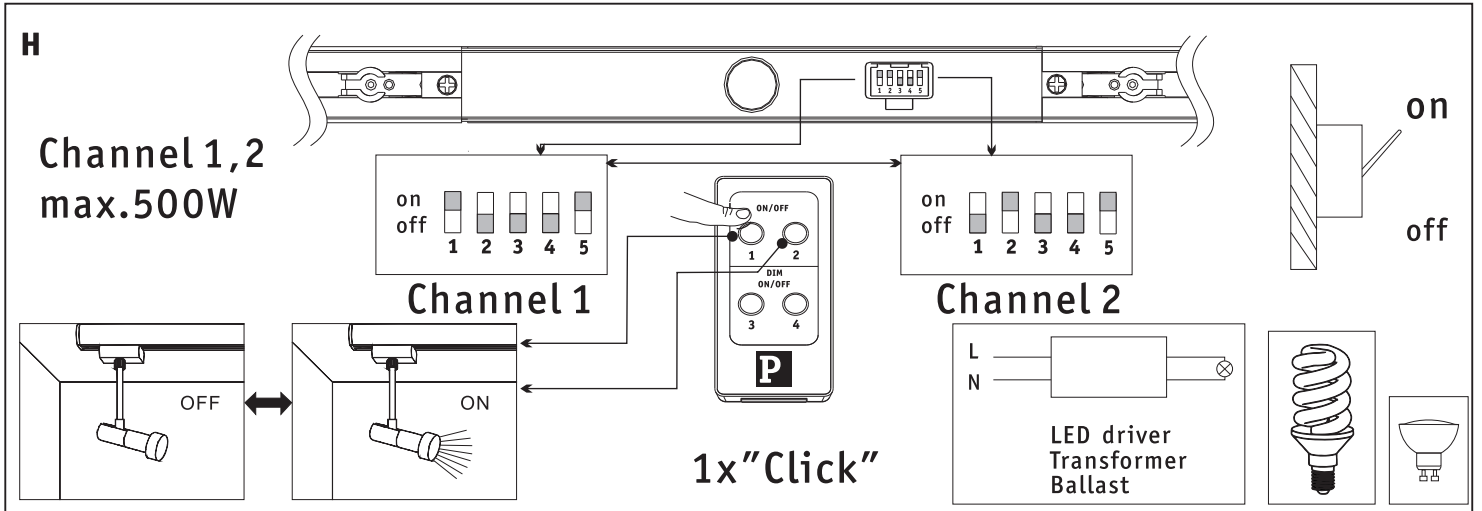
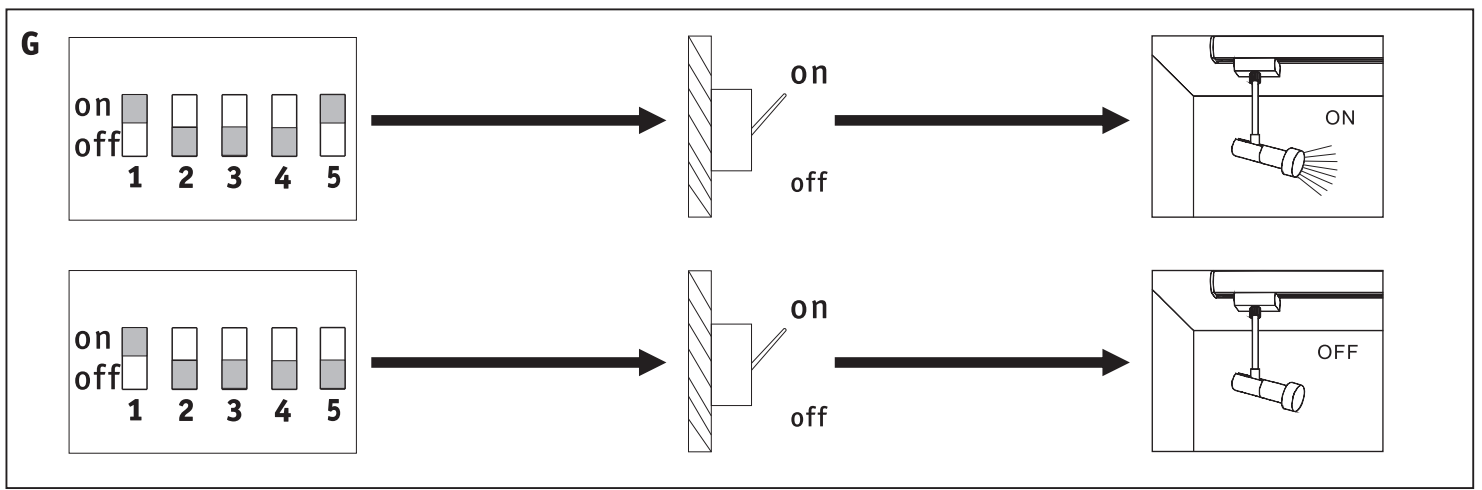
1x

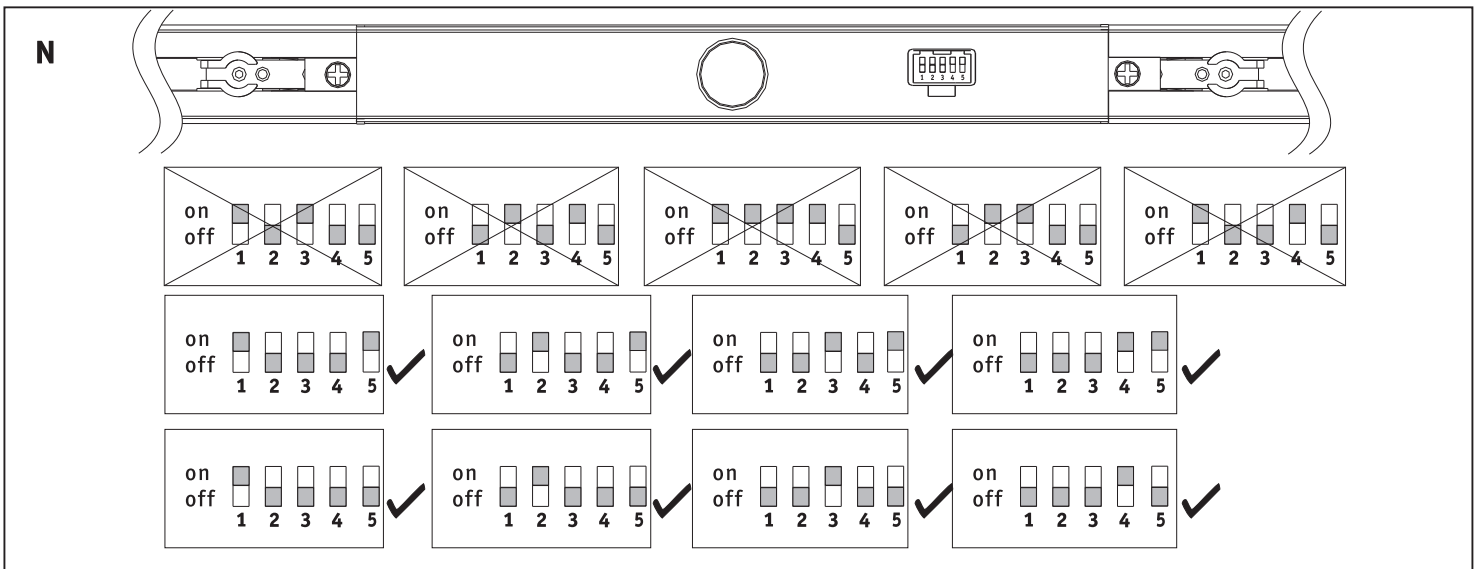
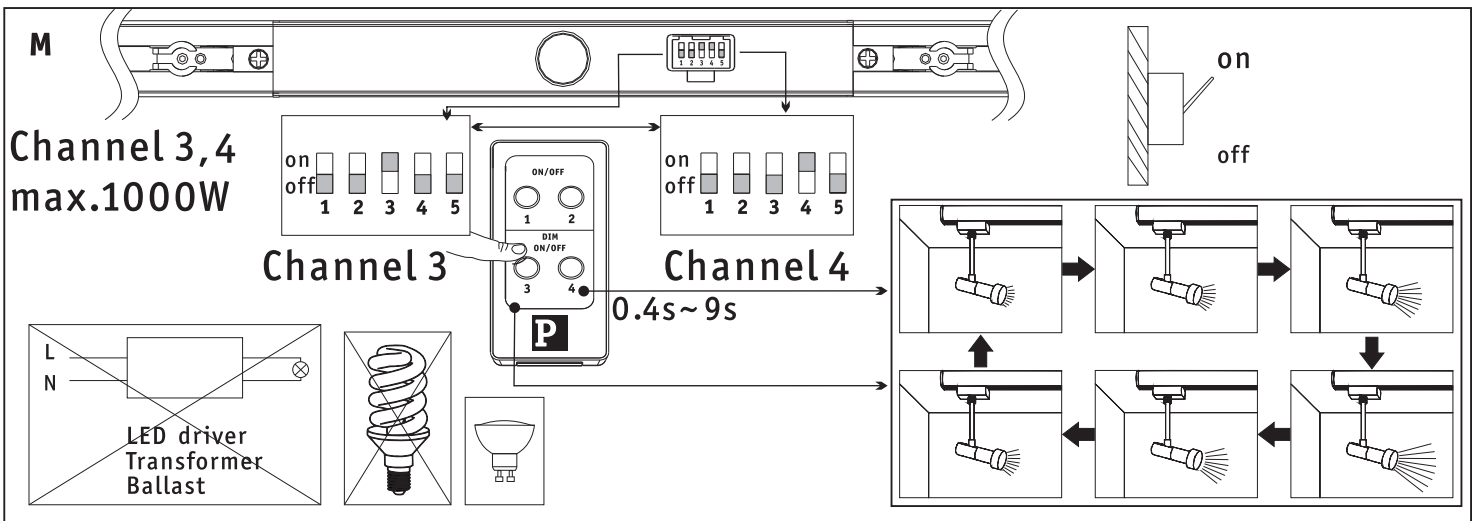
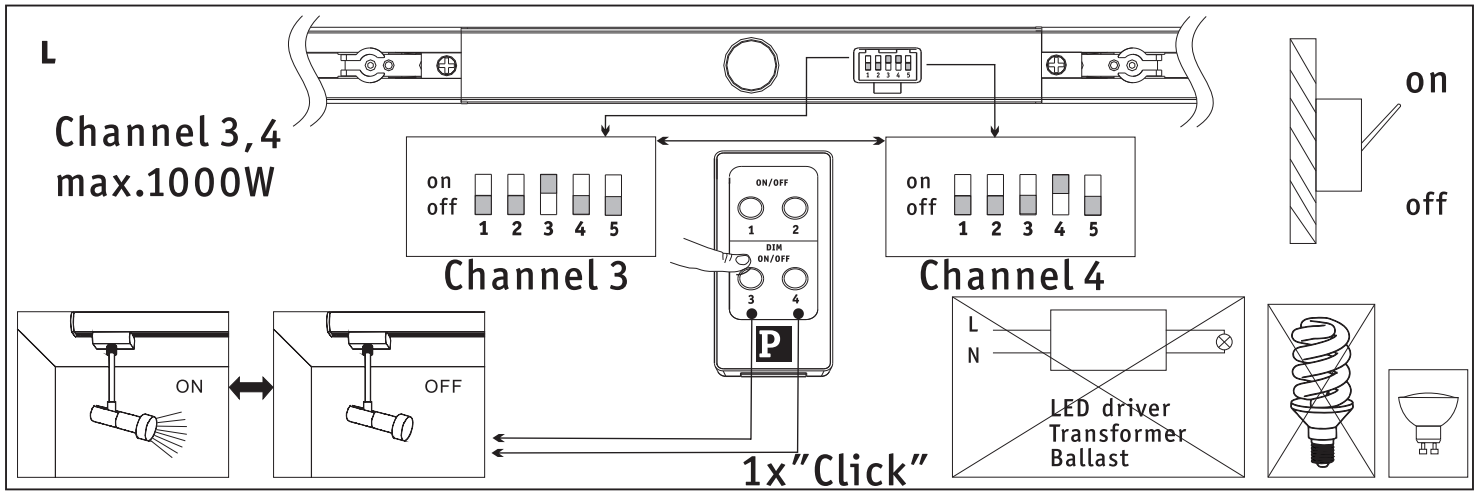
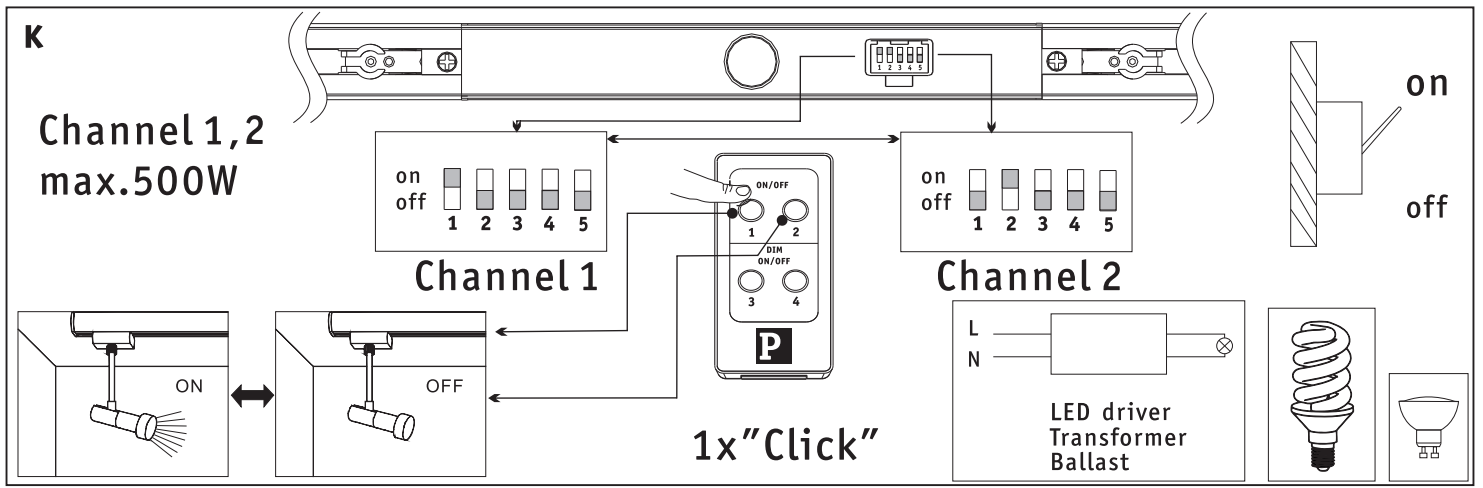
950.73



1x







0

